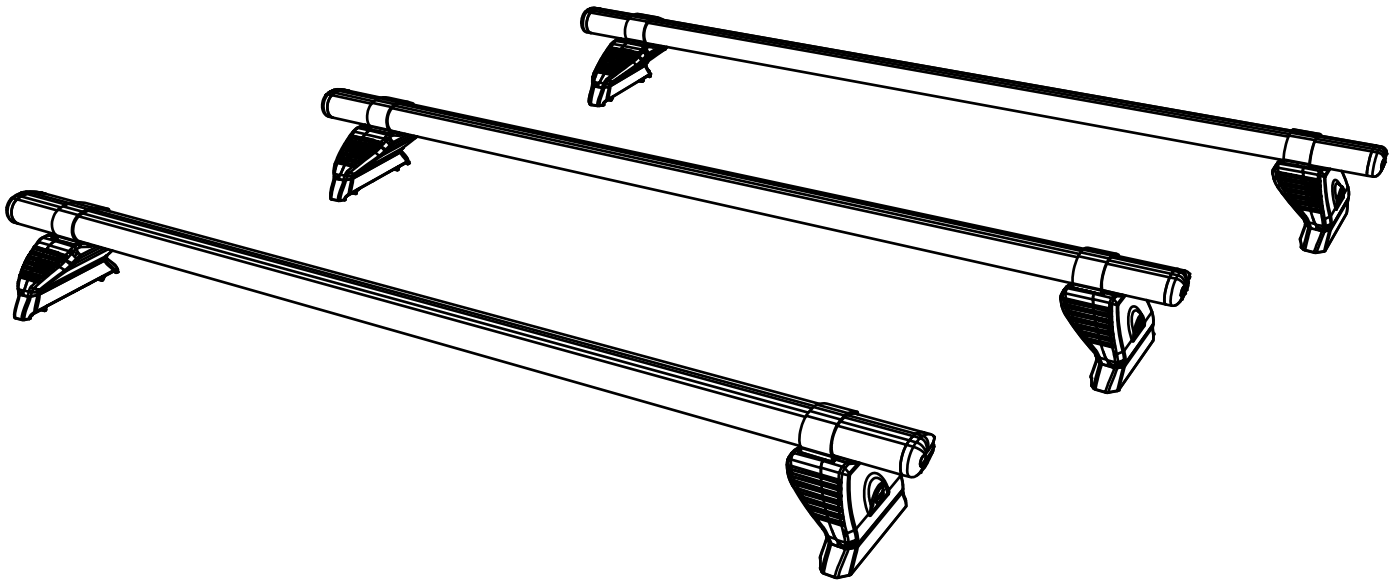


# TB3HPR/FL

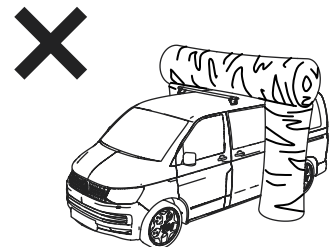
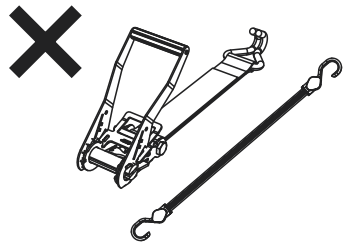
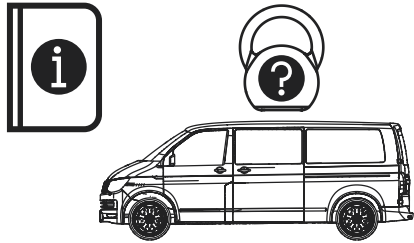
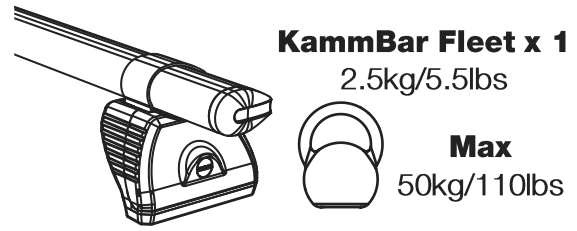
# KammBar

## Instructions

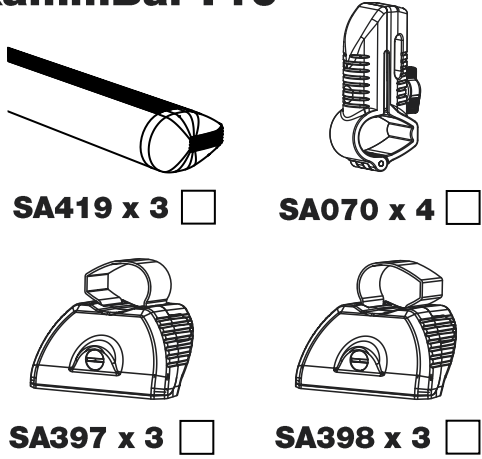


**CITY CRASH** (✓)

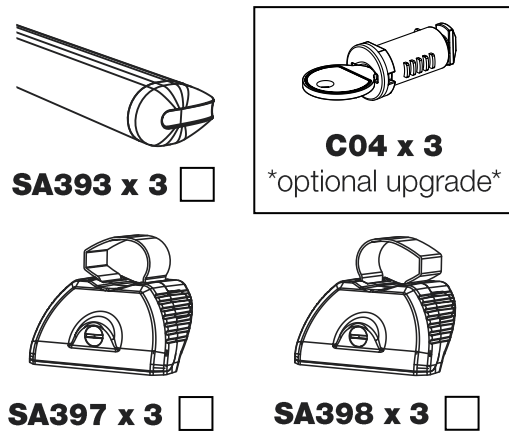
According to ISO/ PAS 11154:2006



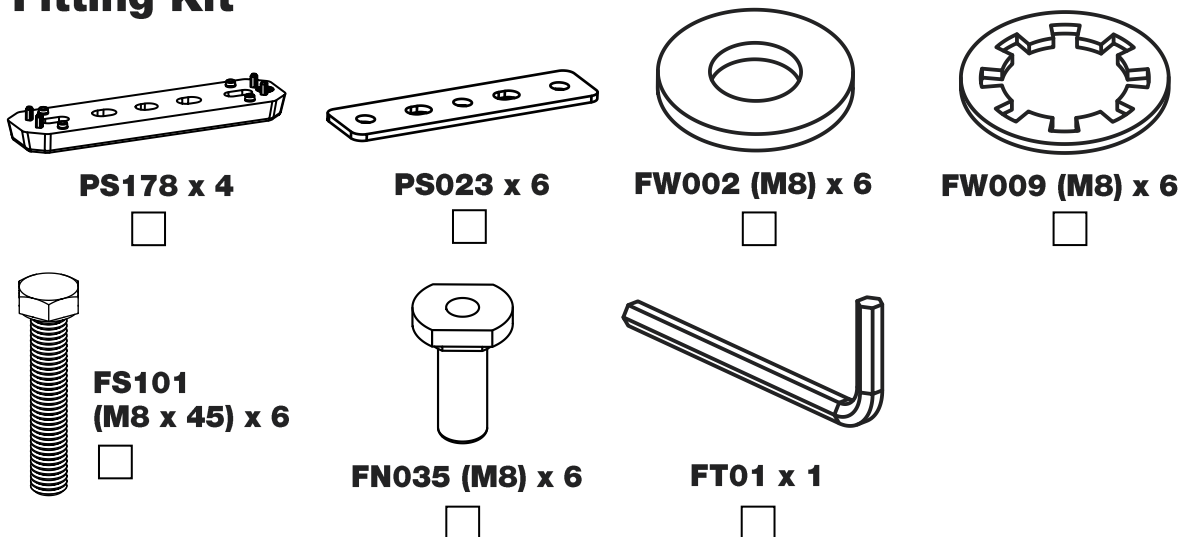
### KammBar Pro



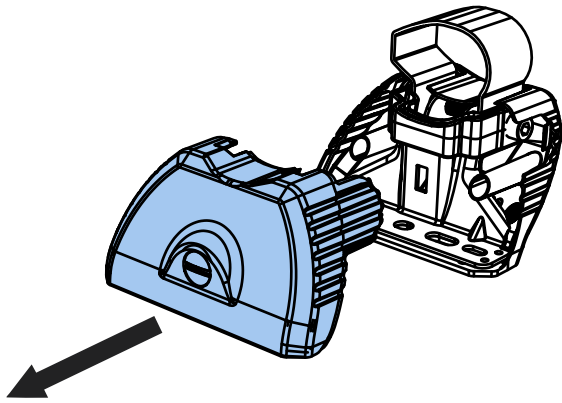
### KammBar Fleet



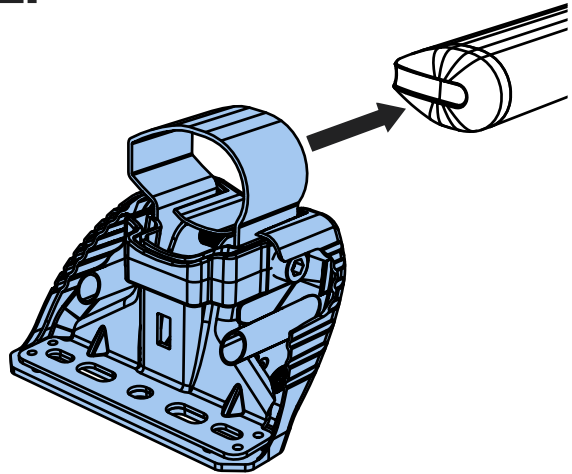
### Fitting Kit



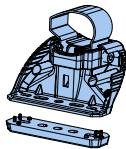
1.



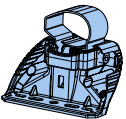
2.



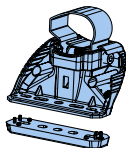
3.



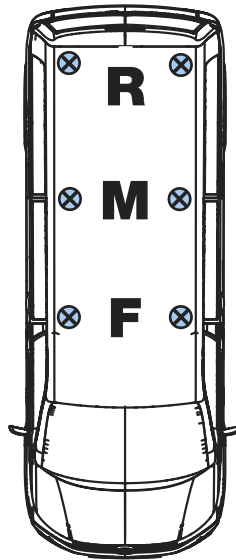
SA397  
PS178



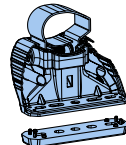
SA397



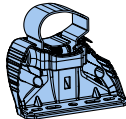
SA397  
PS178



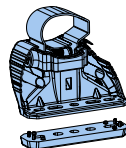
SA398  
PS178



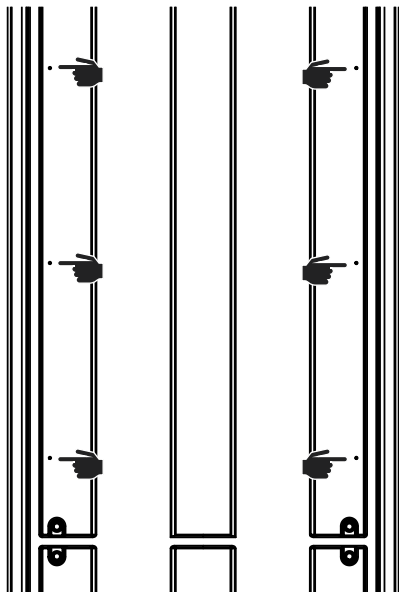
SA398



SA398  
PS178



4.

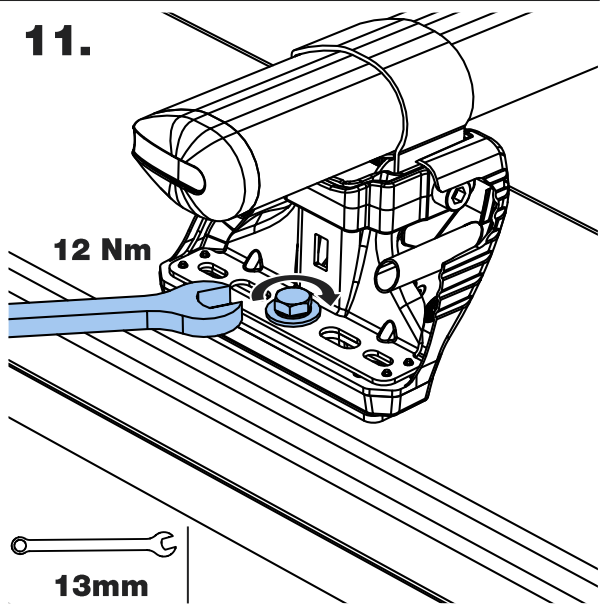
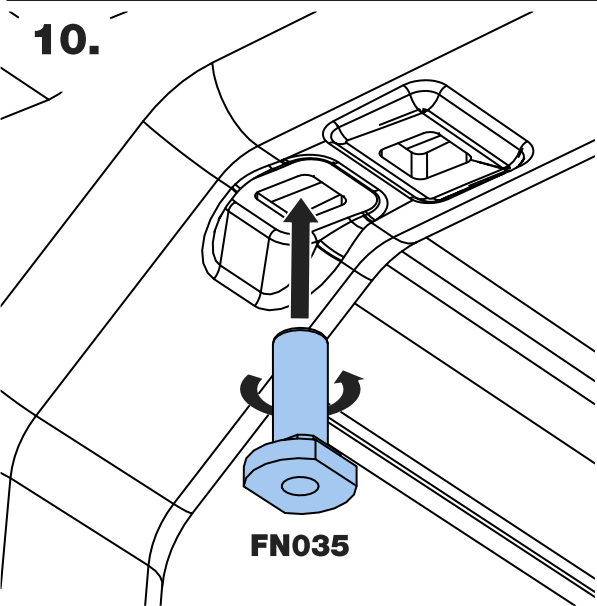
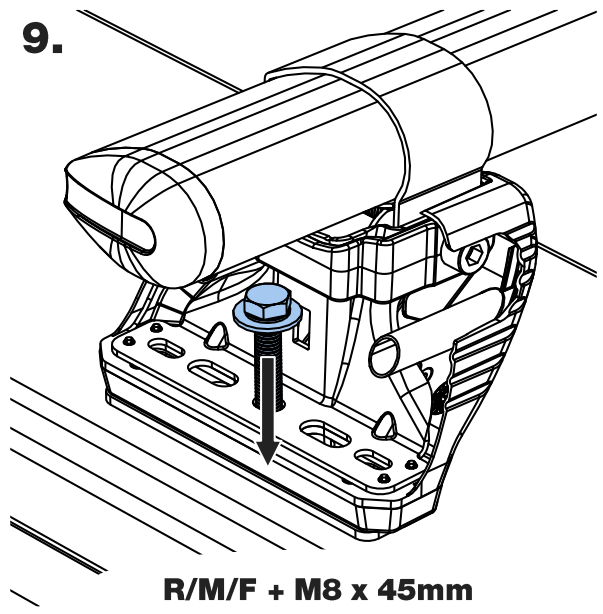
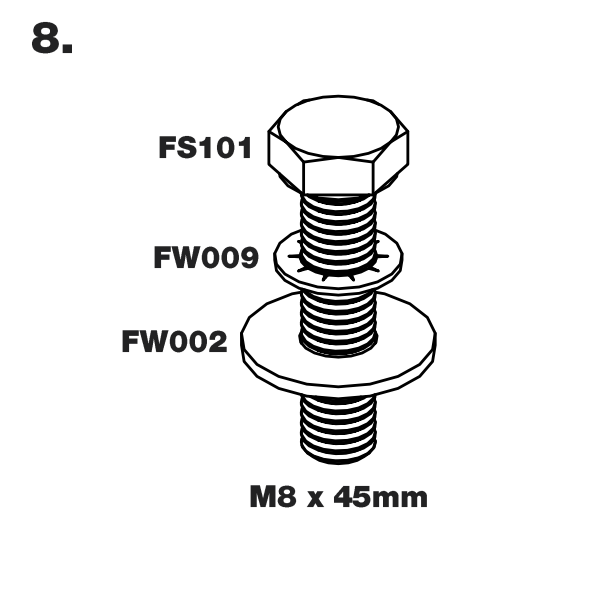
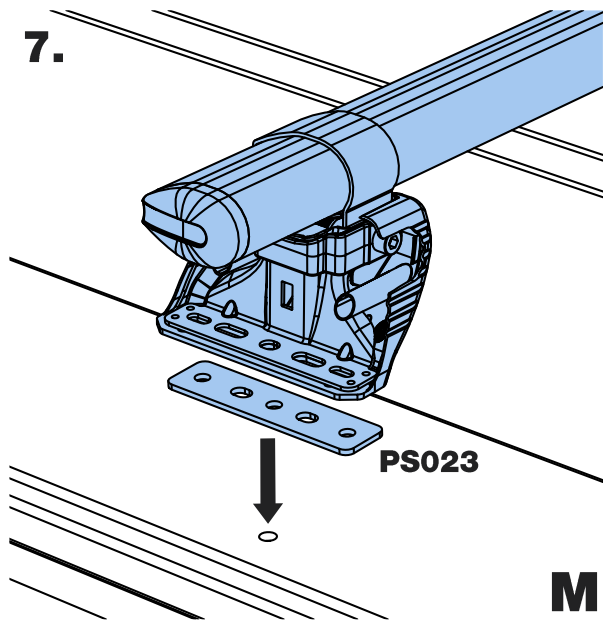
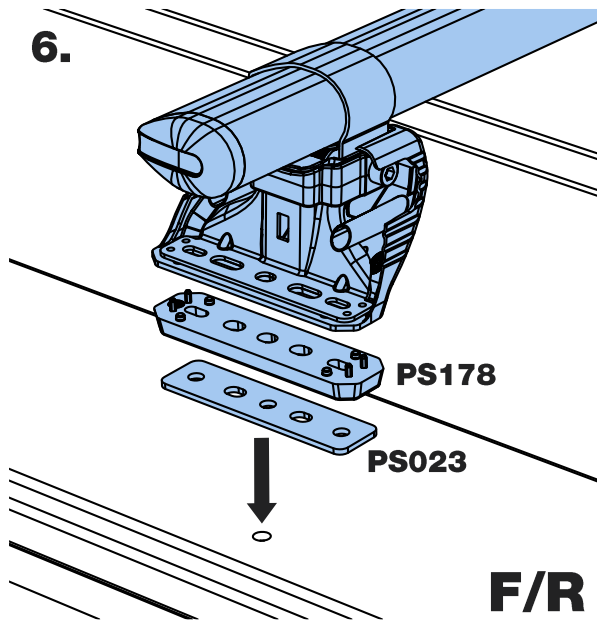


5.

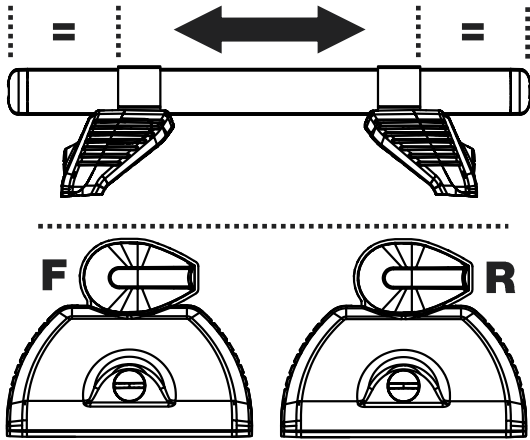


1<sup>st</sup> - Ø 4mm  
2<sup>nd</sup> - Ø 9mm

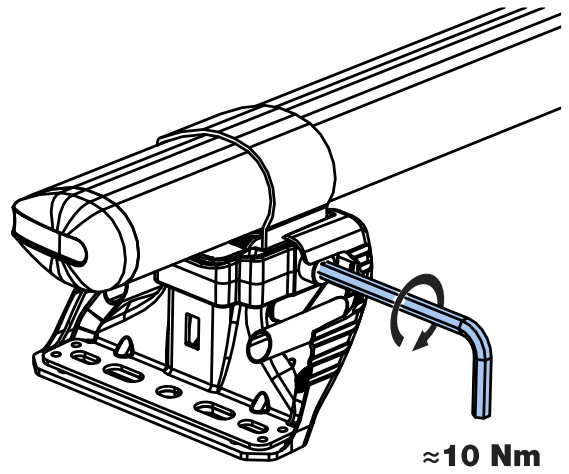




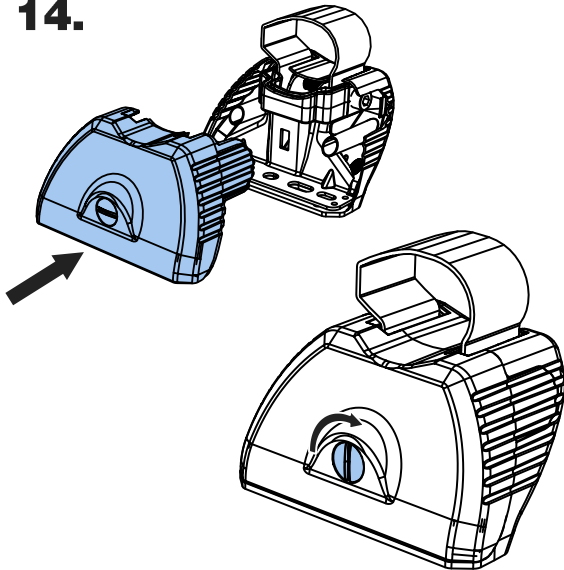
12.



13.



14.



15.

