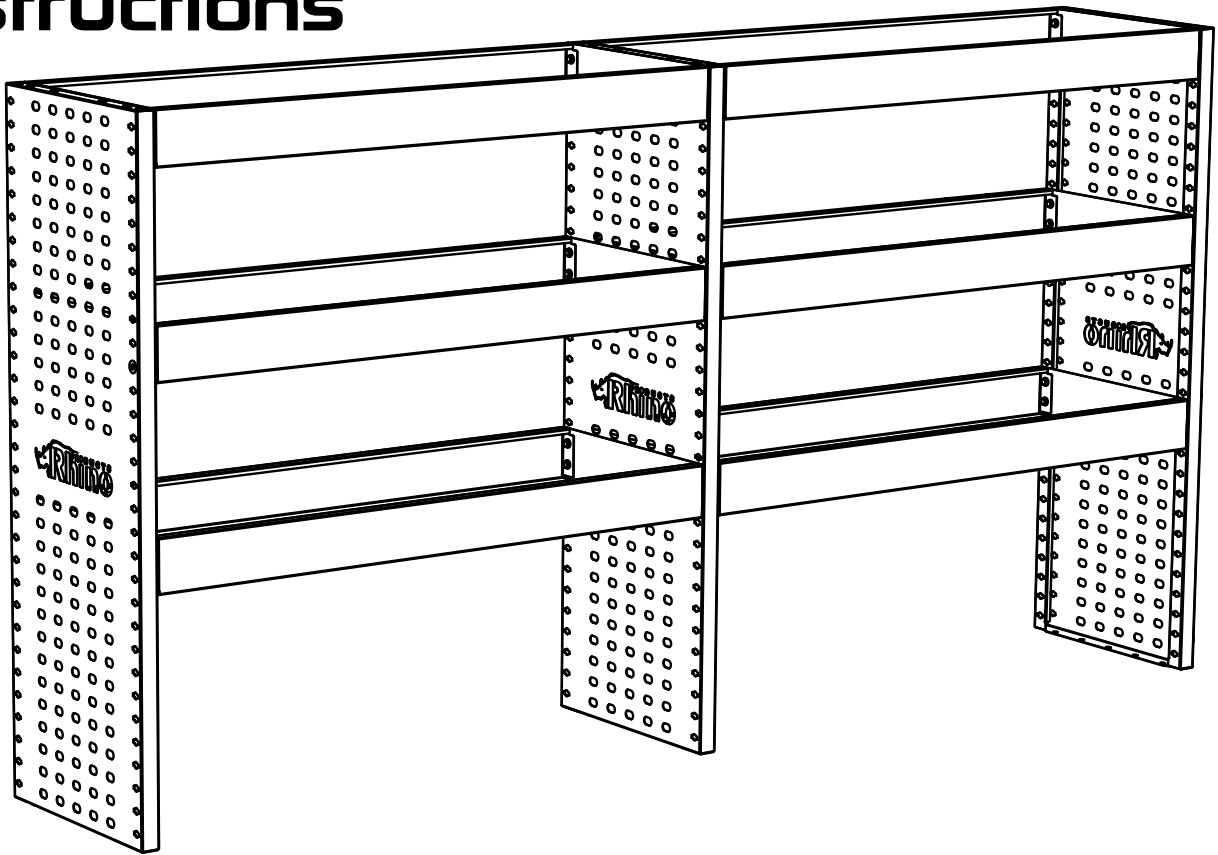


# FM002-L2

# MR4

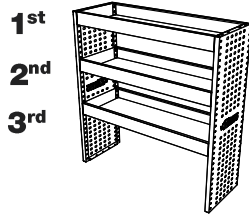
## Instructions



**CITY CRASH** (✓)

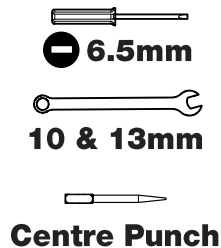
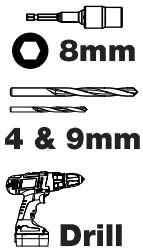
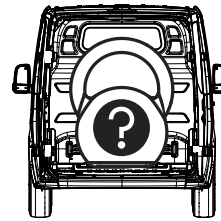
According to ISO/ PAS 11154:2006

**MR4**  
**Weight**  
 31.7kg  
 /69.9lbs  
 (Bay 1 +  
 Bay 2)

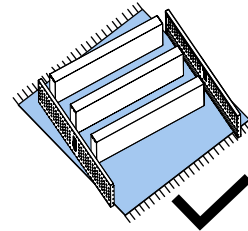
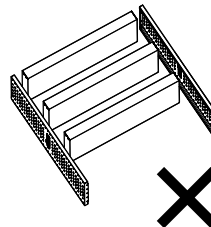


**Shelf Max Load**

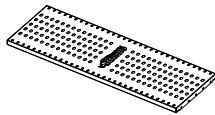
**1<sup>st</sup>** 10.0kg/22.0lbs  
**2<sup>nd</sup>** 35.0kg/77.2lbs  
**3<sup>rd</sup>** 35.0kg/77.2lbs



**Assembly**  
 ≈30min  
**Fitment**  
 ≈30min



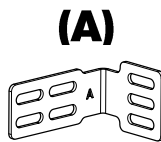
**MR4**



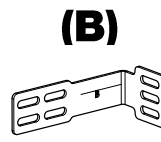
**L311**  
 x 3



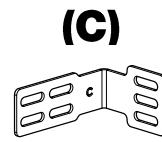
**SH310 x 3**  
**SH312 x 3**



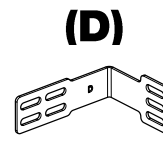
**(A)**  
**MS1705**  
 x 1



**(B)**  
**MS1706**  
 x 1



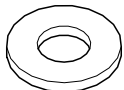
**(C)**  
**MS1707**  
 x 3



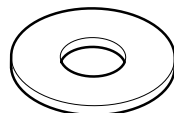
**(D)**  
**MS1708**  
 x 1



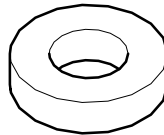
**Fitting Kit**



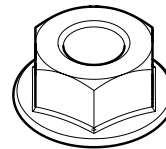
**FW011**  
**(M6 x 20)**  
 x 57



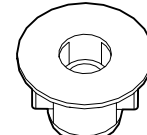
**FW103**  
**(M8 x 20)**  
 x 6



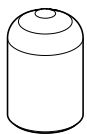
**PS572**  
**(M8) x 6**



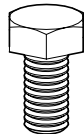
**FN092**  
**(M8) x 6**



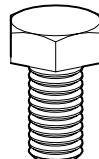
**FN003**  
**(M6) x 48**



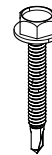
**PS045**  
**(M8) x 6**



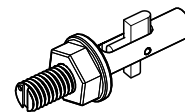
**FS163**  
**(M6 x 12mm)**  
 x 48



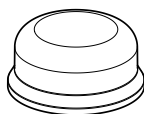
**FS171**  
**(M8 x 16mm)**  
 x 6



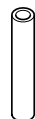
**FS296**  
**(M5.5 x 35mm)**  
 x 9



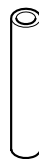
**FB032**  
**(M8) x 6**



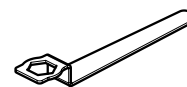
**PS414**  
**(M8) x 6**



**PS570**  
**(4mm) x 1**



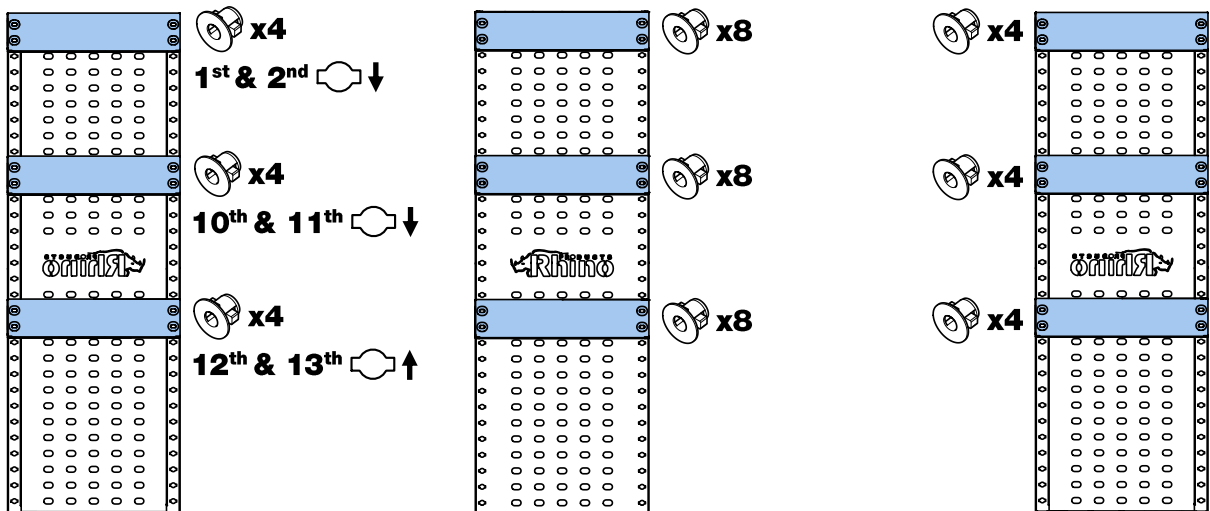
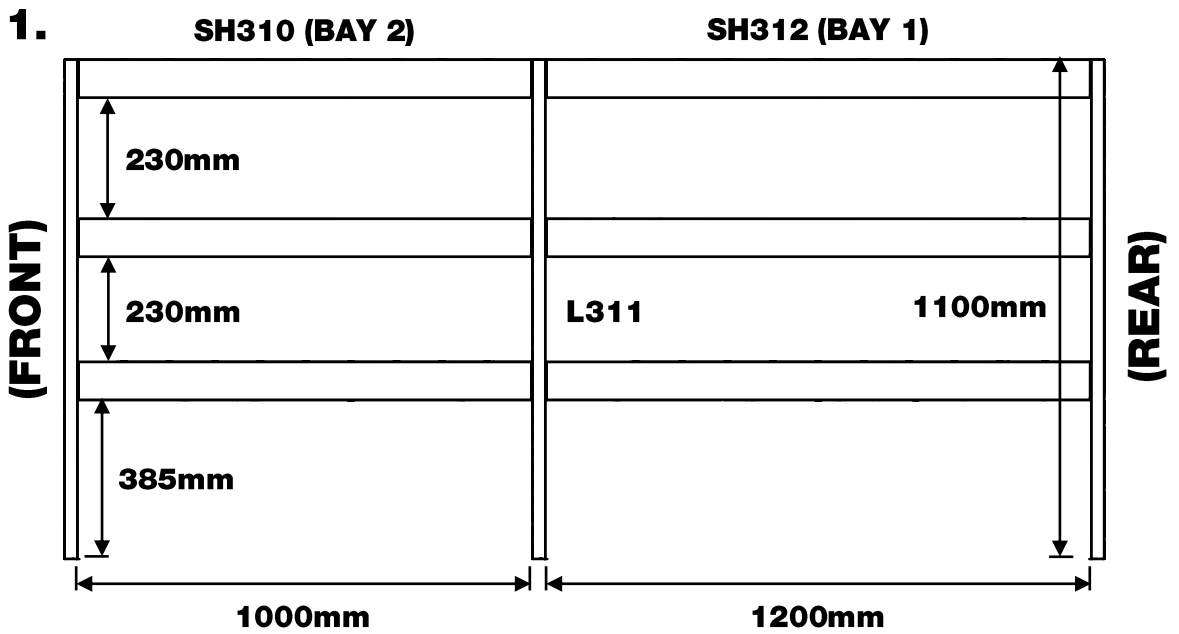
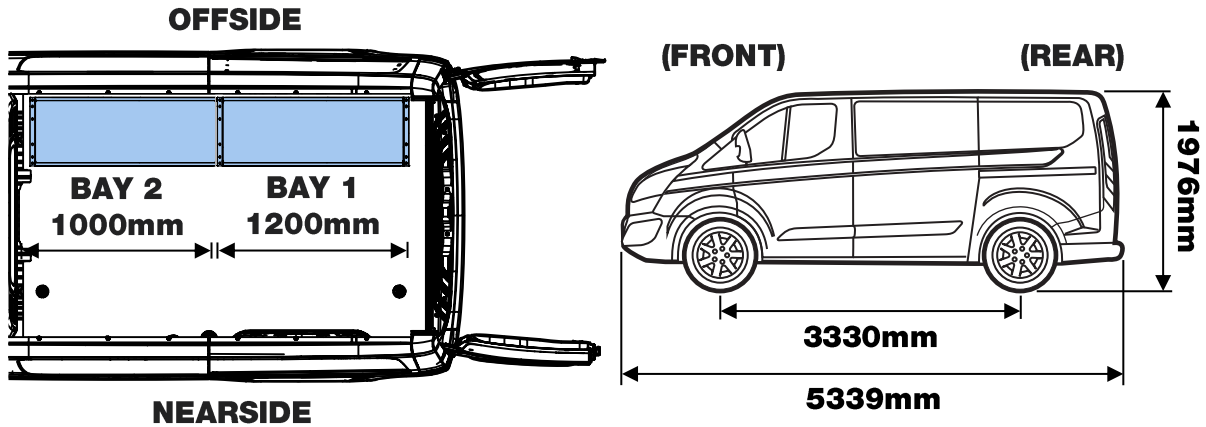
**PS571**  
**(9mm) x 1**

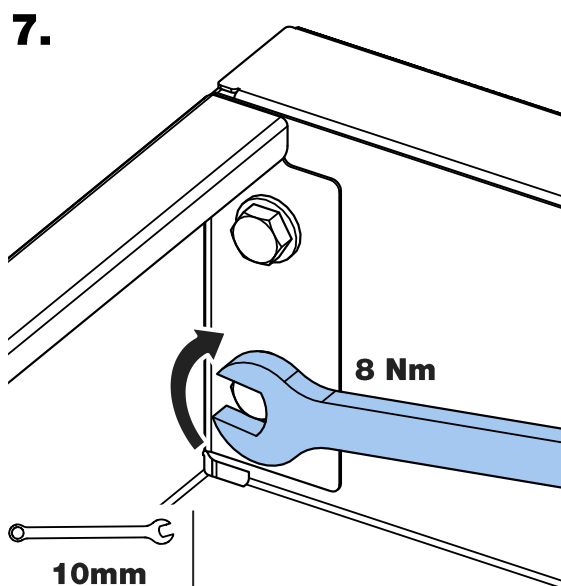
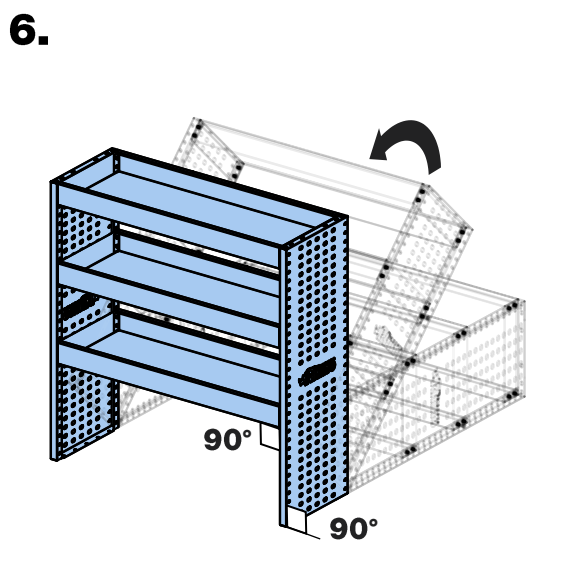
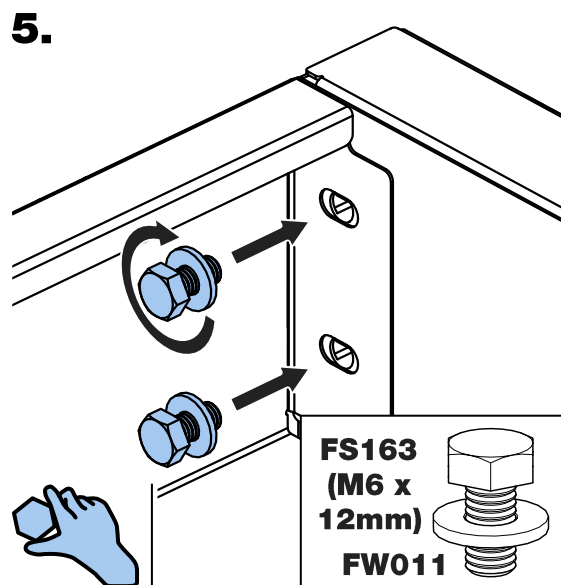
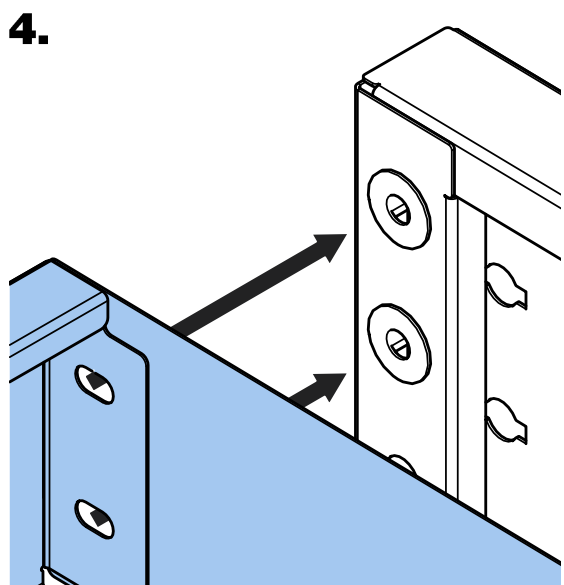
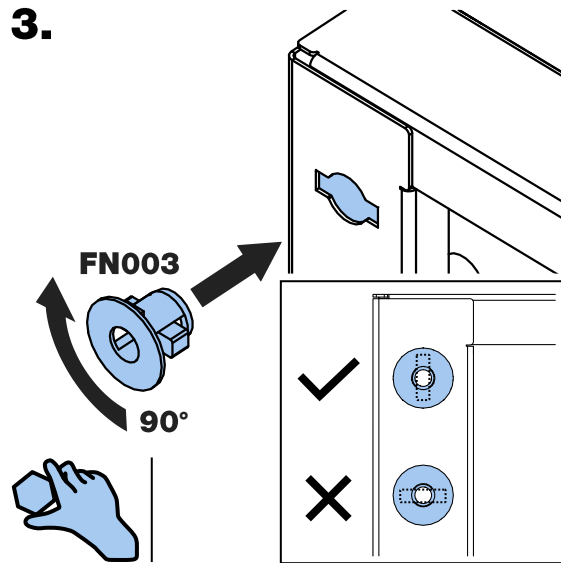
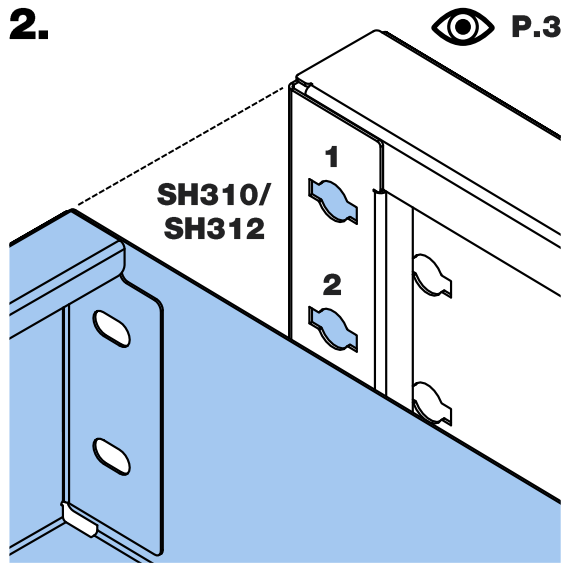


**MS1734**  
 x 1

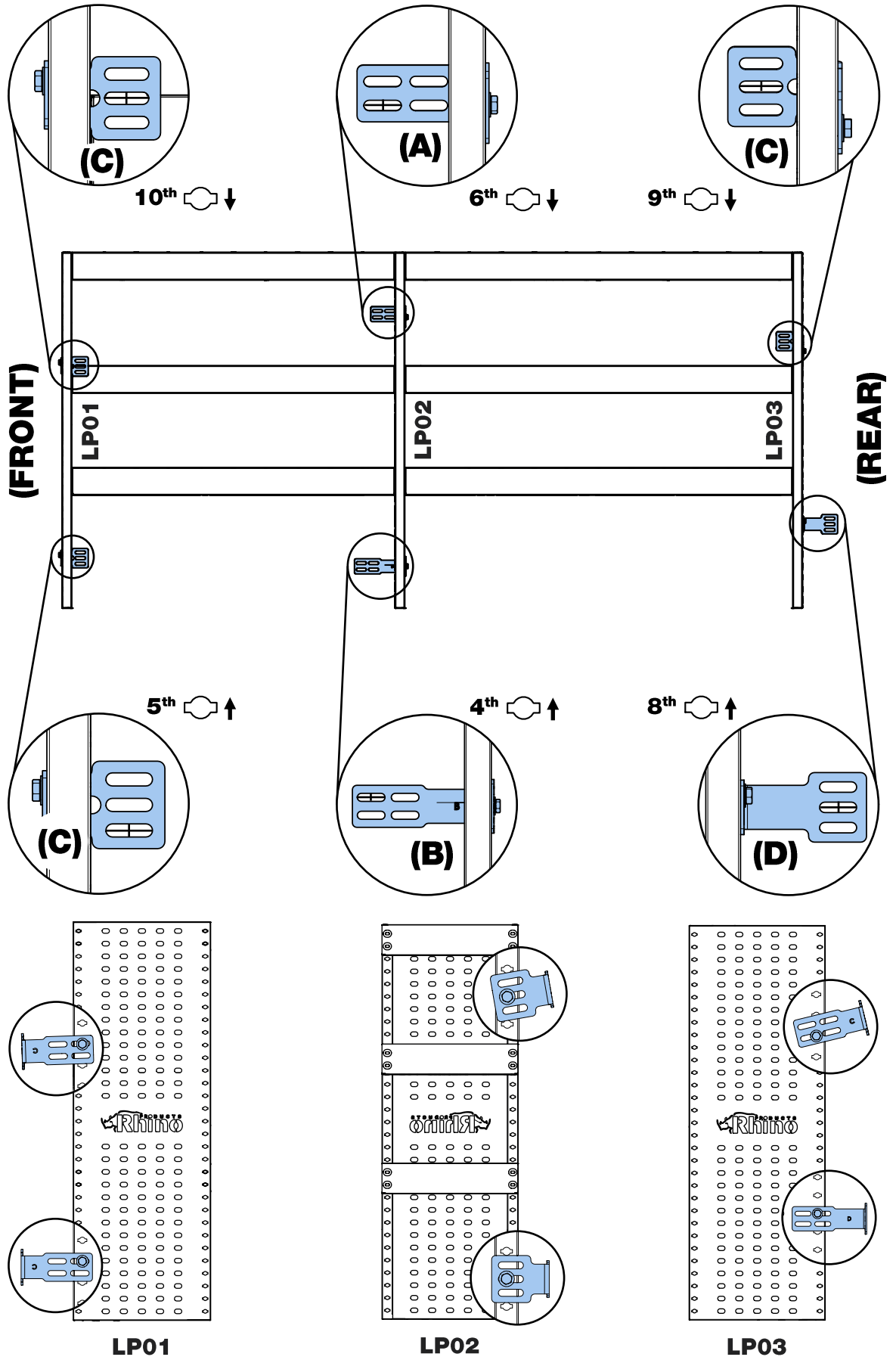


# FORD TRANSIT CUSTOM (2013-) L2-H1

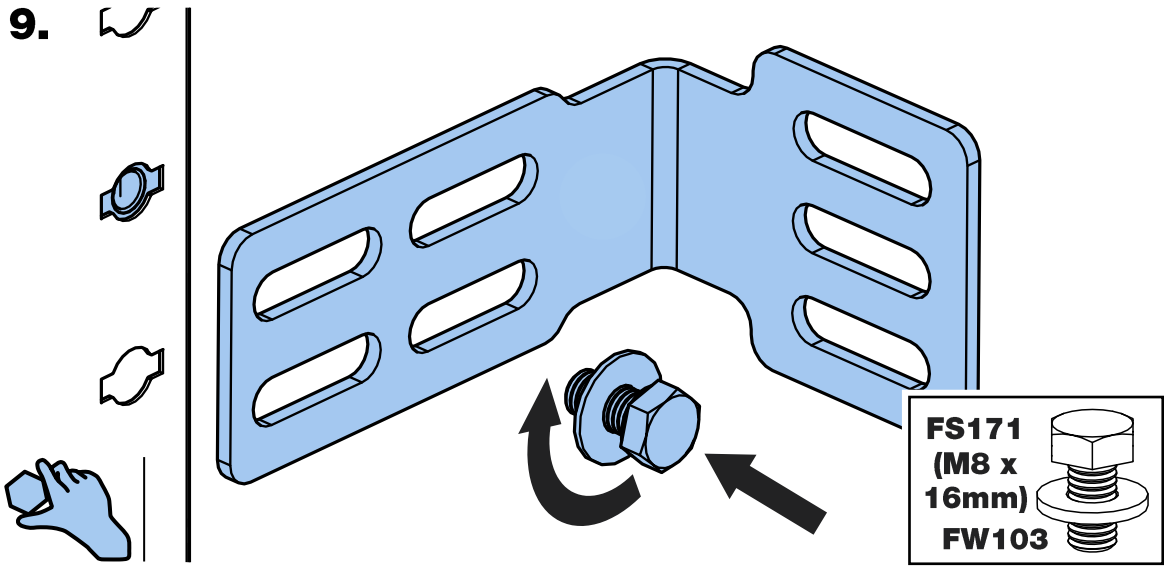




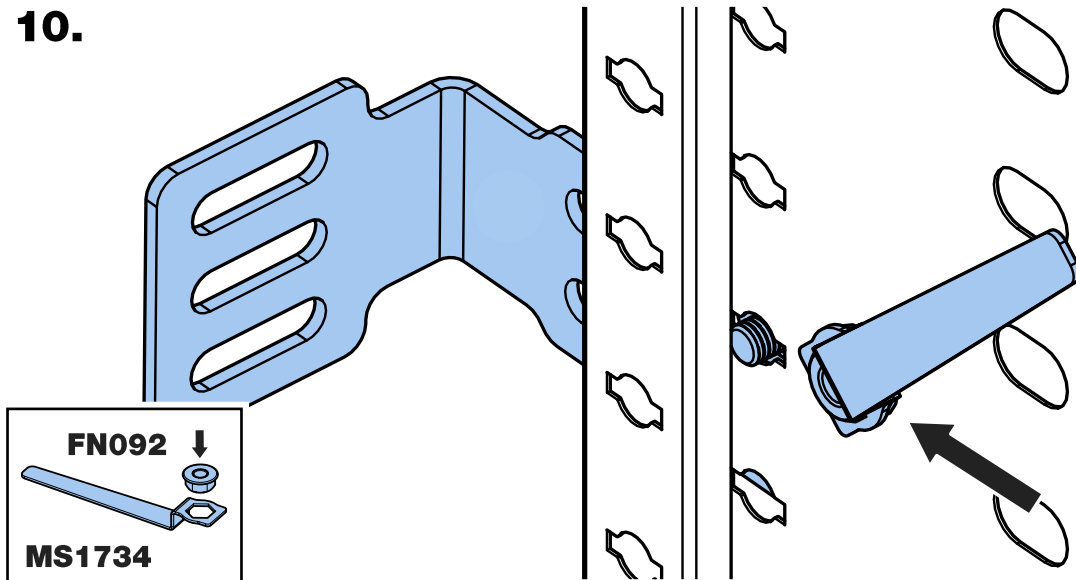
8.



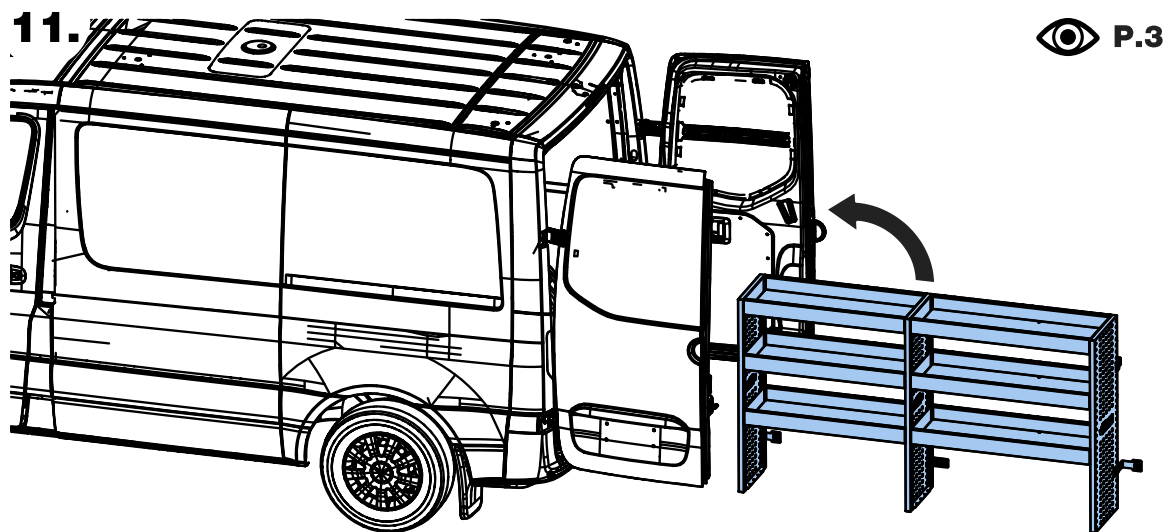
9.



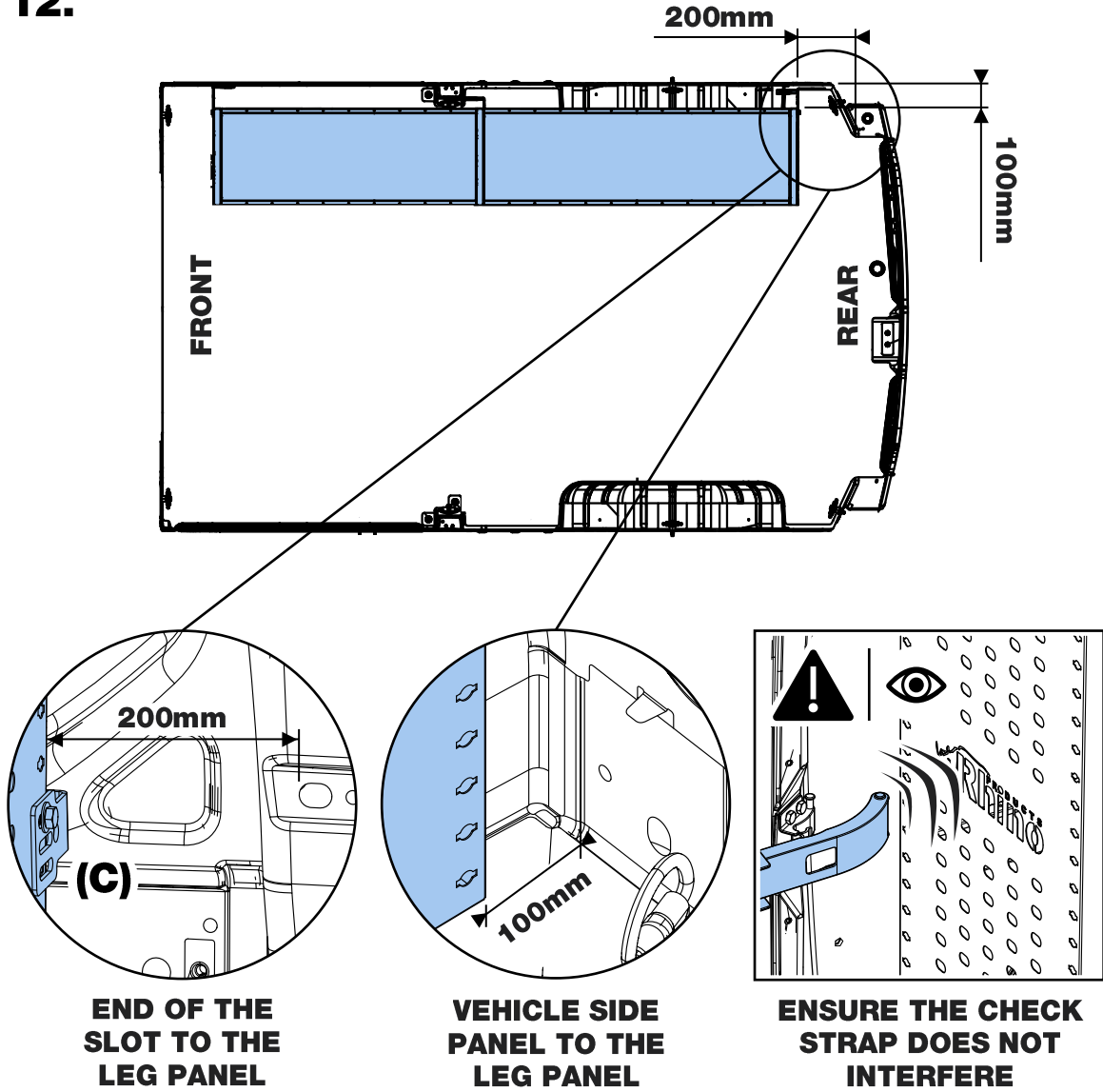
10.



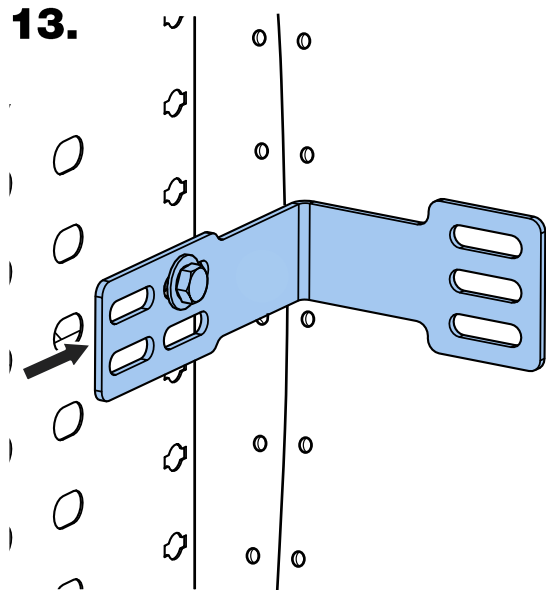
11.



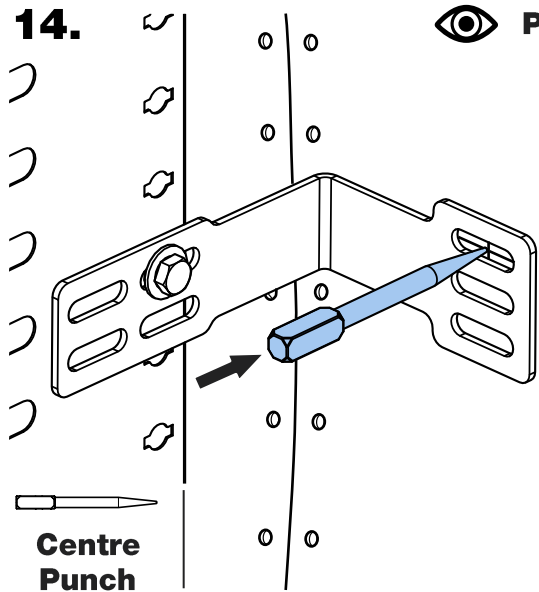
**12.**

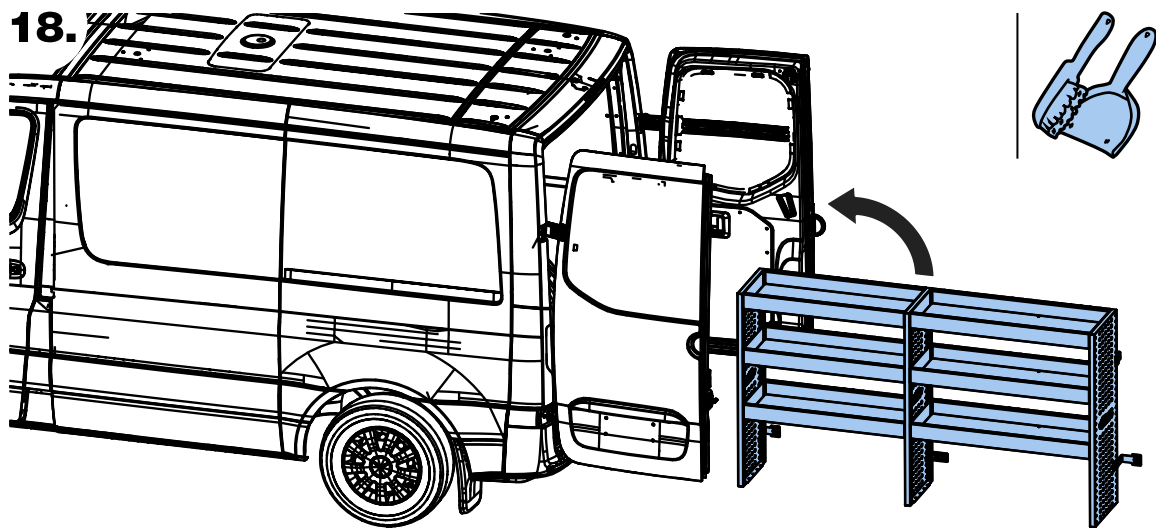
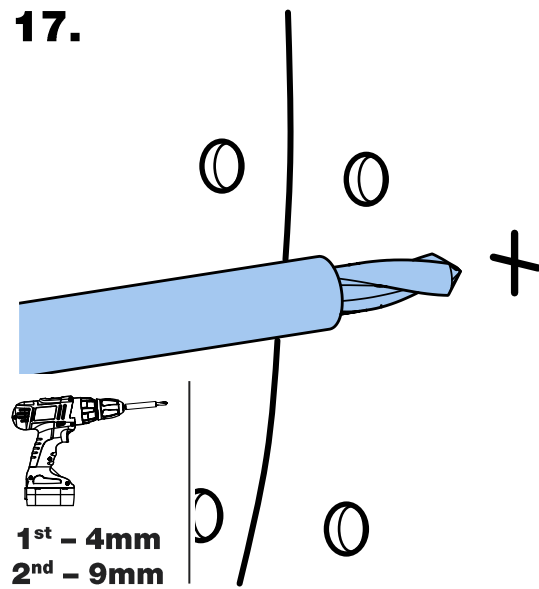
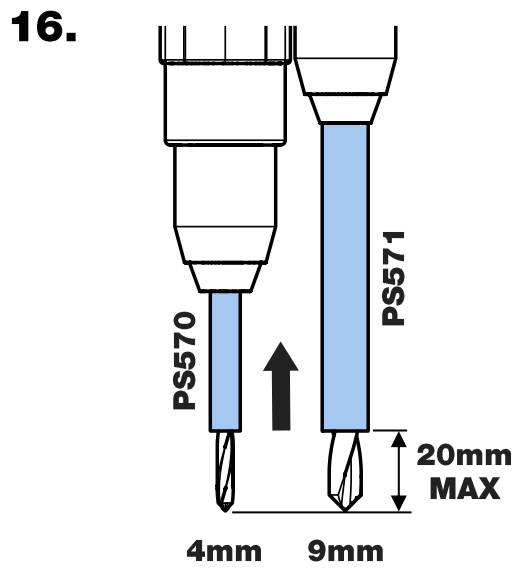
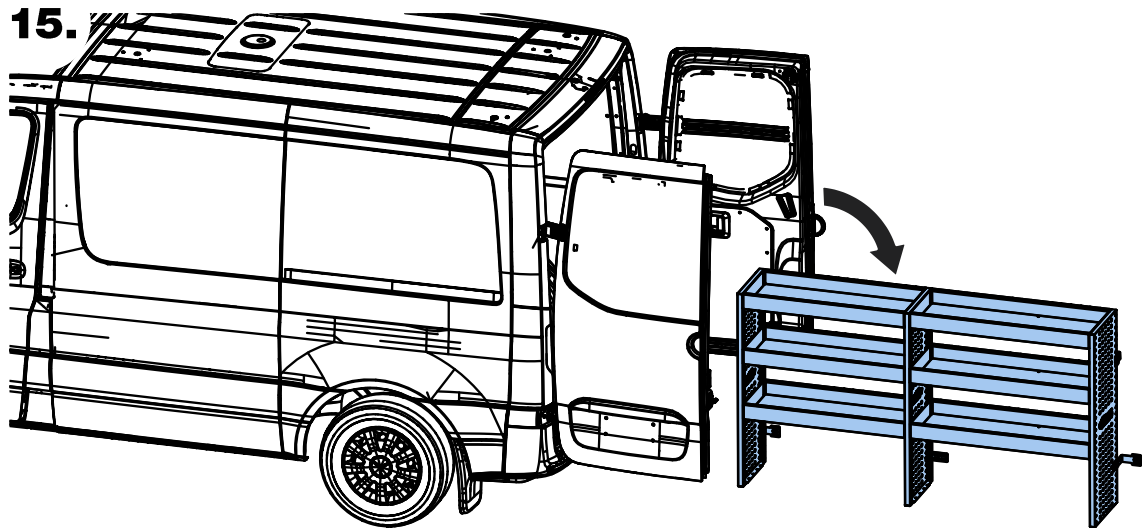


**13.**



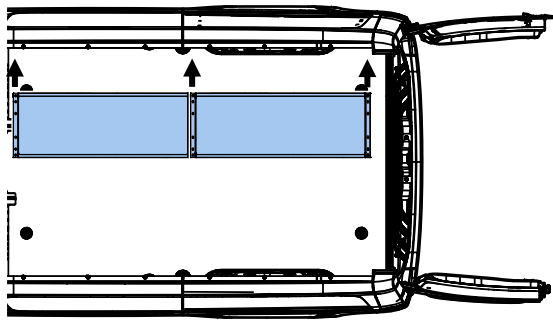
**14.**



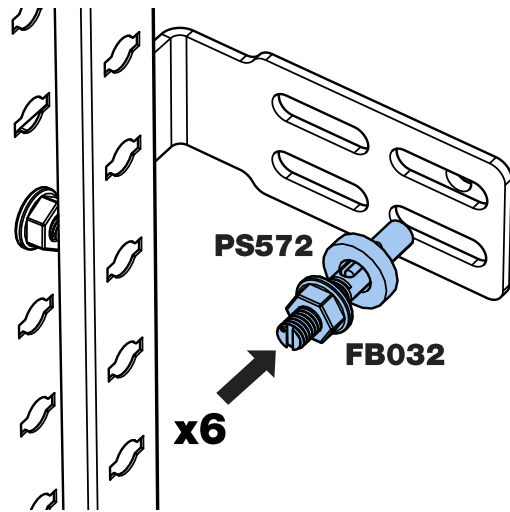




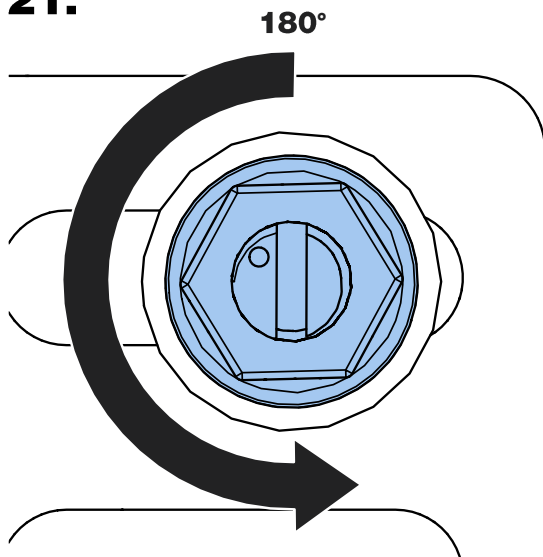
19.



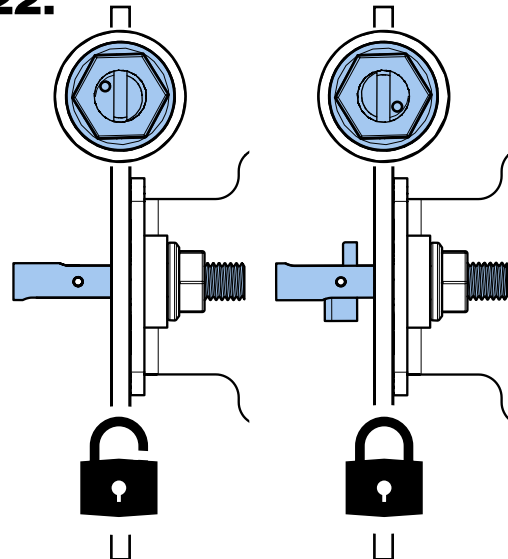
20.



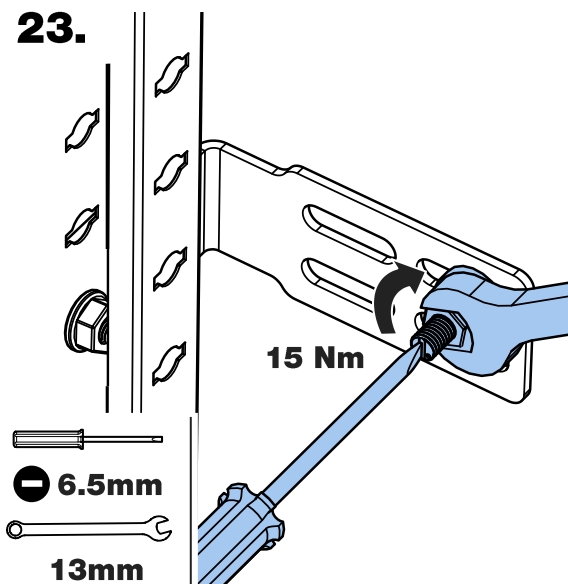
21.



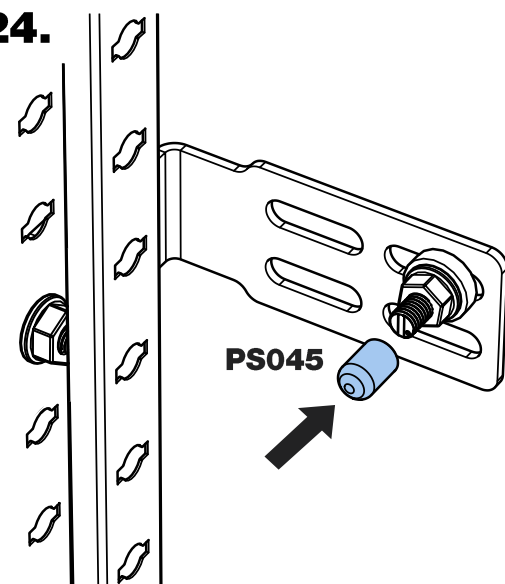
22.



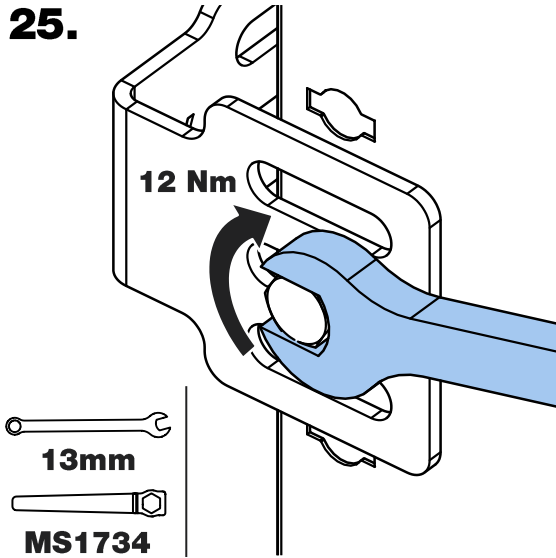
23.



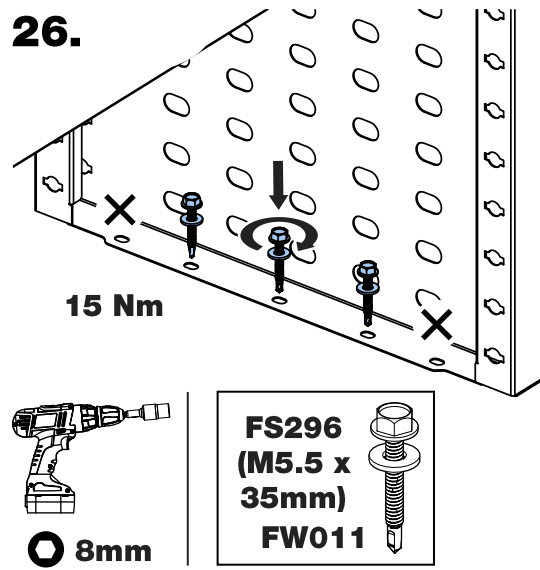
24.



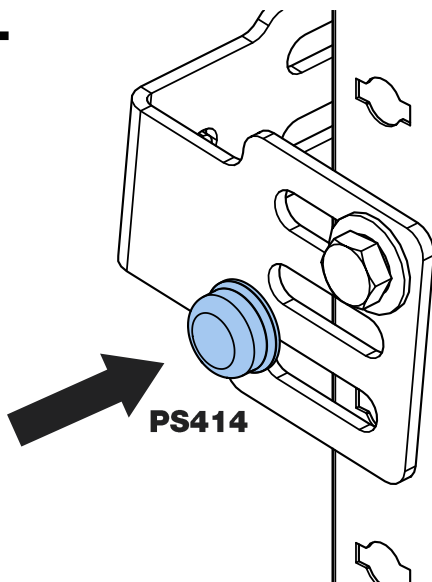
25.



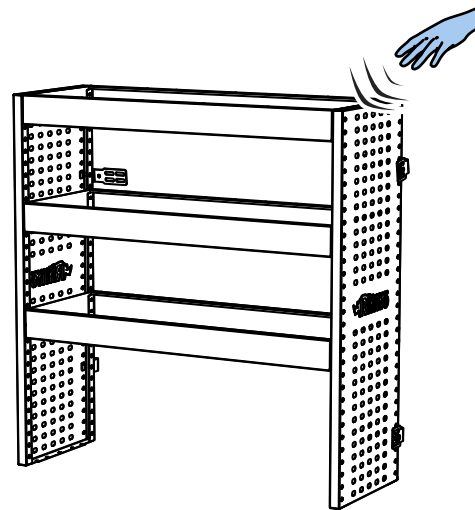
26.



27.



28.



Check every 3 months to ensure the fixings are secure.