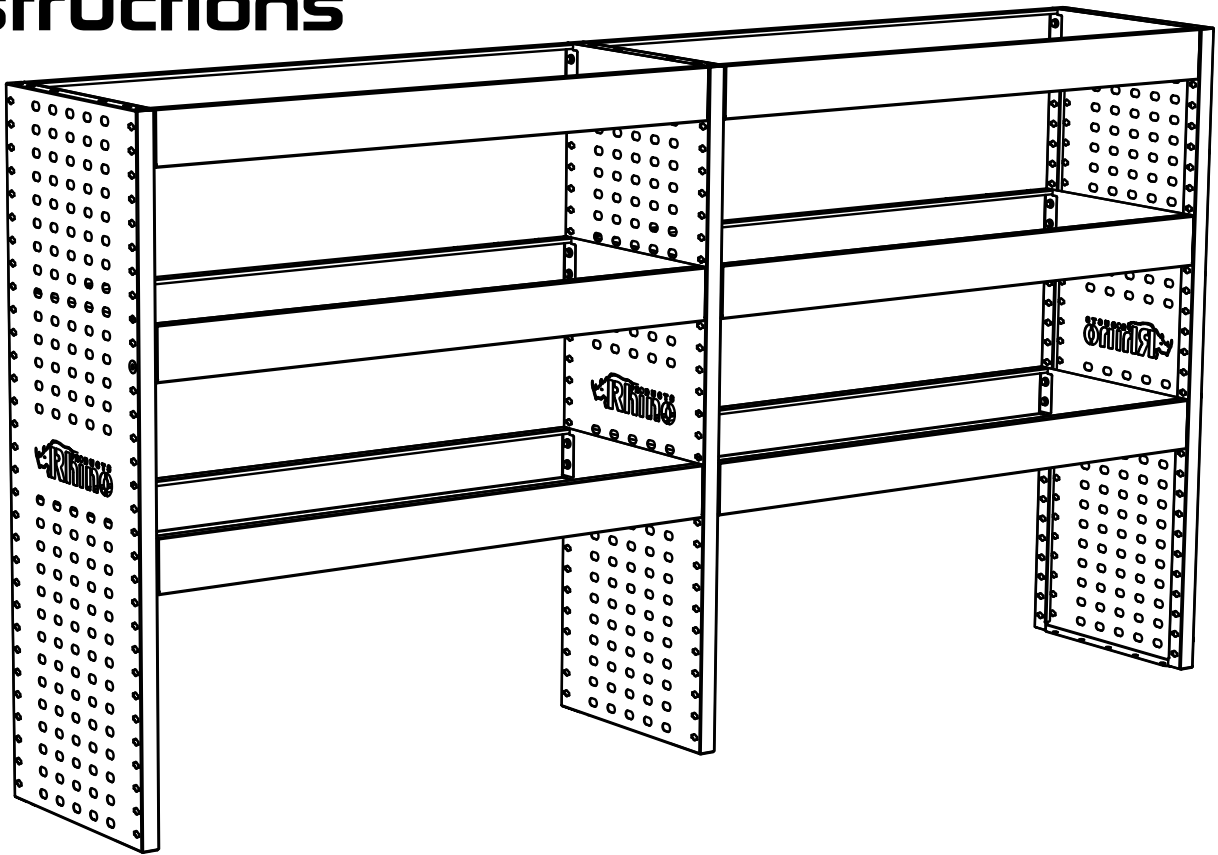


FM002-L1

MR4

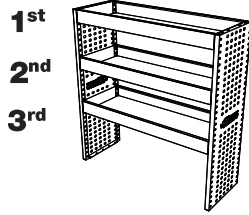
Instructions



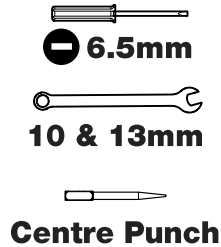
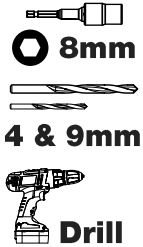
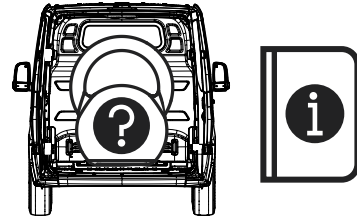
CITY CRASH (✓)

According to ISO/ PAS 11154:2006

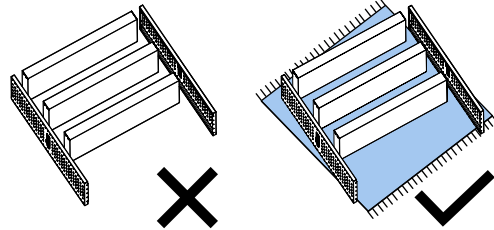
MR4
Weight
 29.2kg
 /64.4lbs
 (Bay 1 +
 Bay 2)



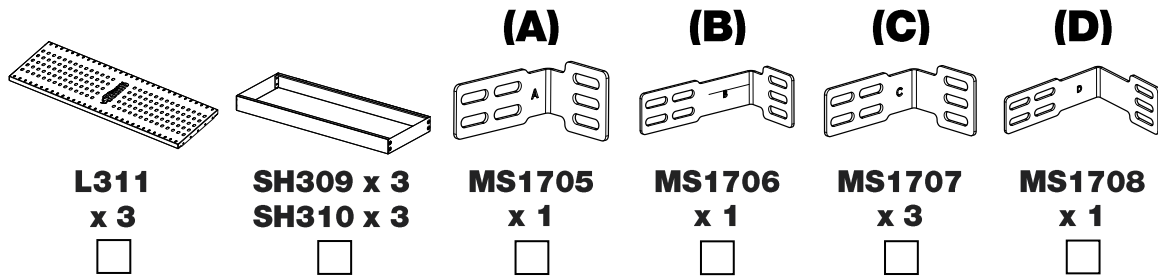
Shelf Max Load
1st 10.0kg/22.0lbs
2nd 35.0kg/77.2lbs
3rd 35.0kg/77.2lbs



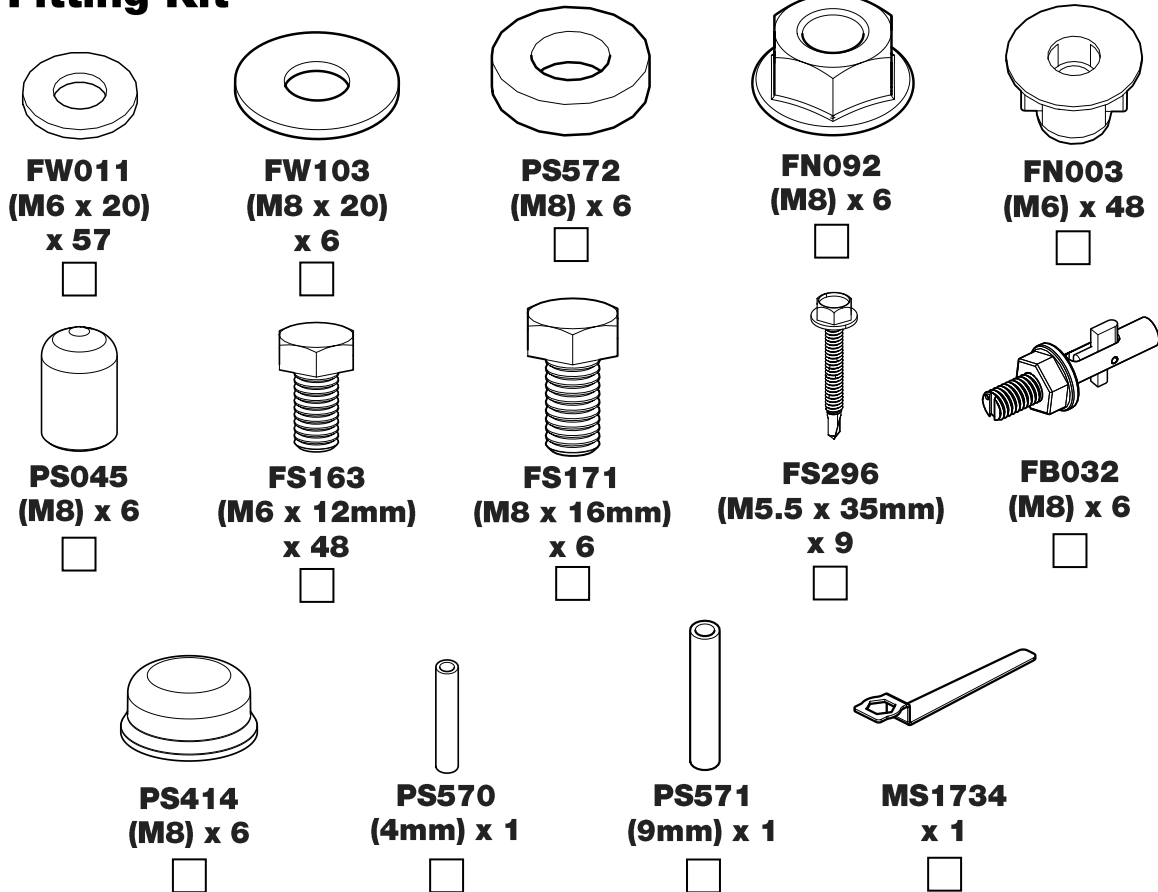
Assembly
 ≈30min
Fitment
 ≈30min



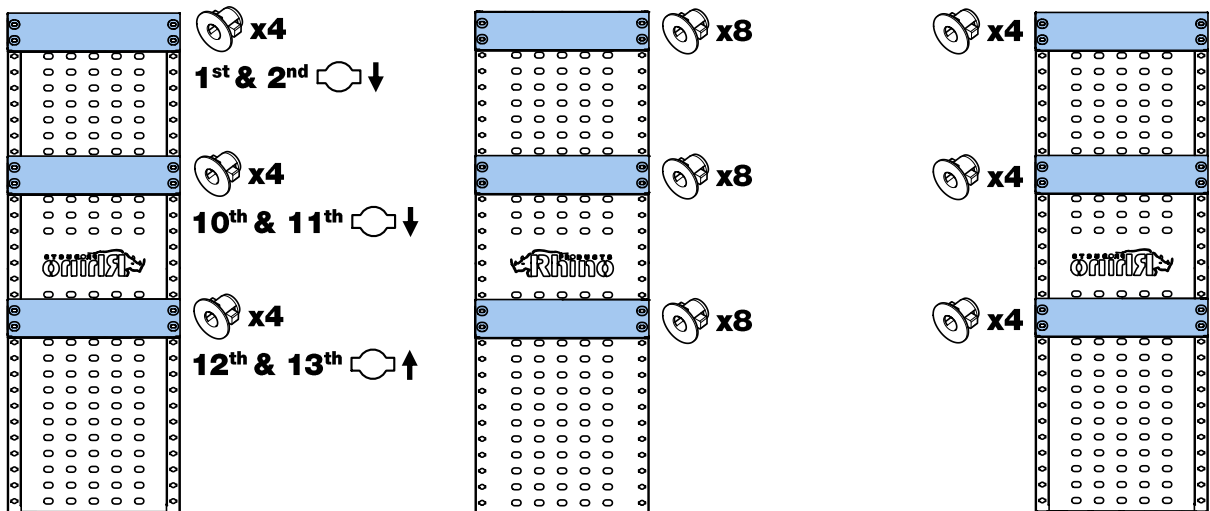
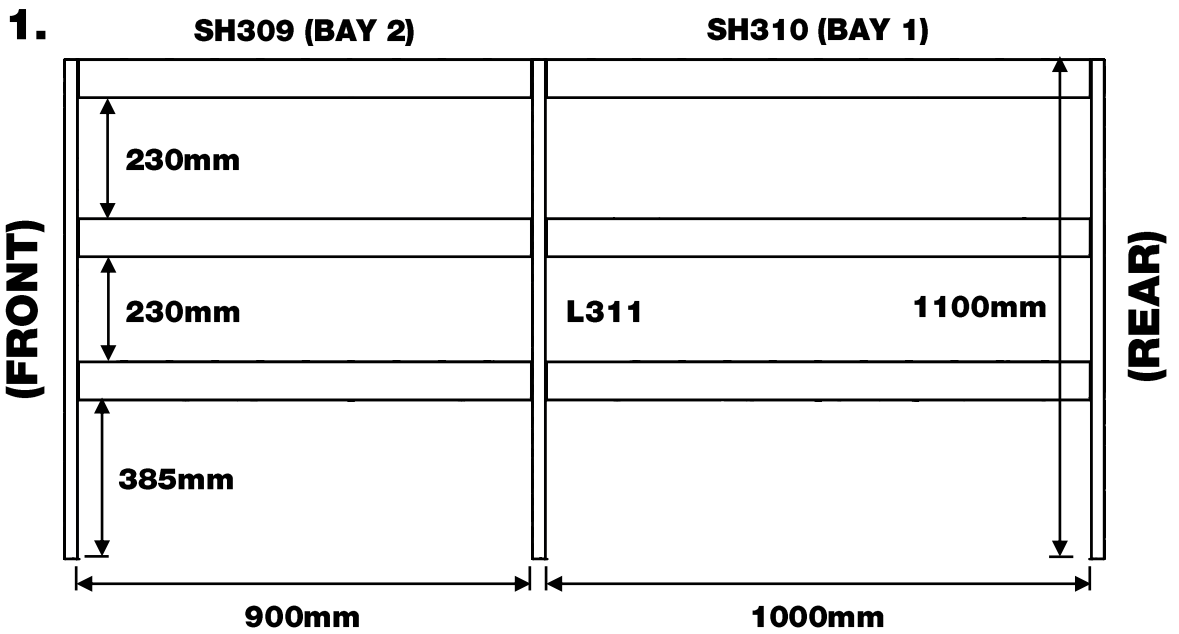
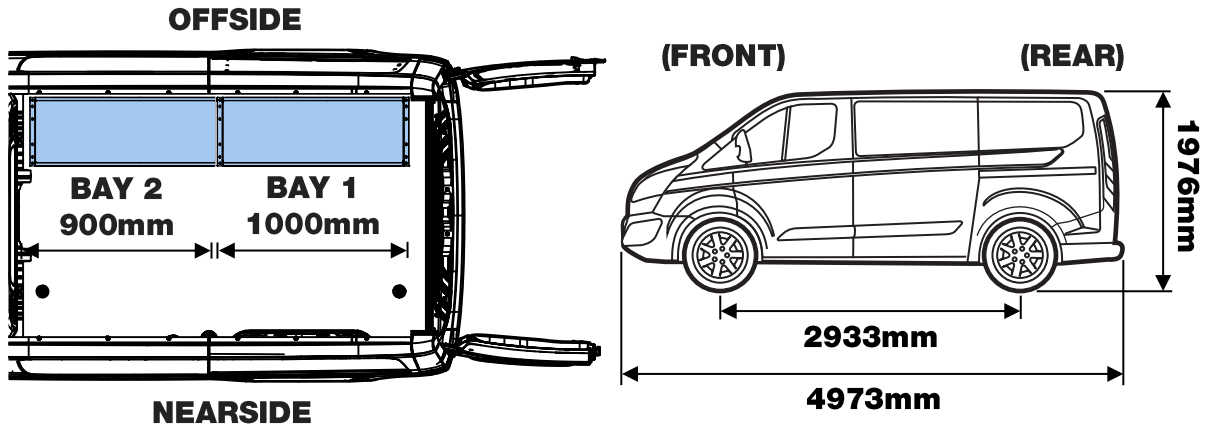
MR4

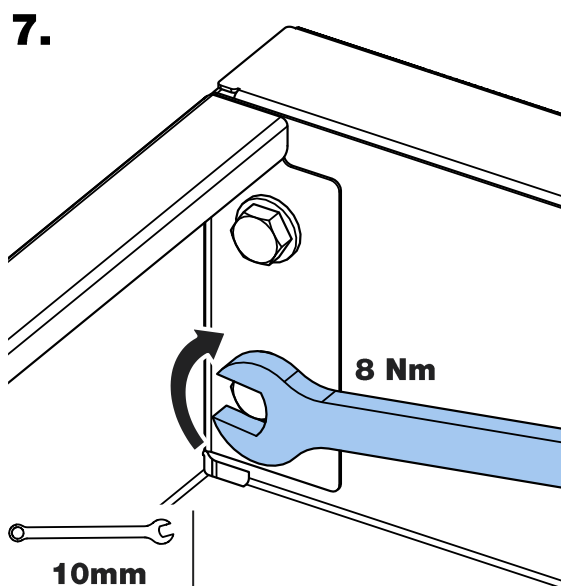
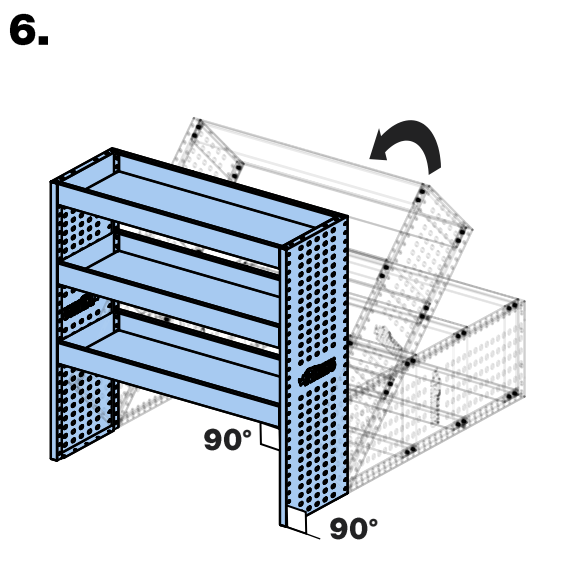
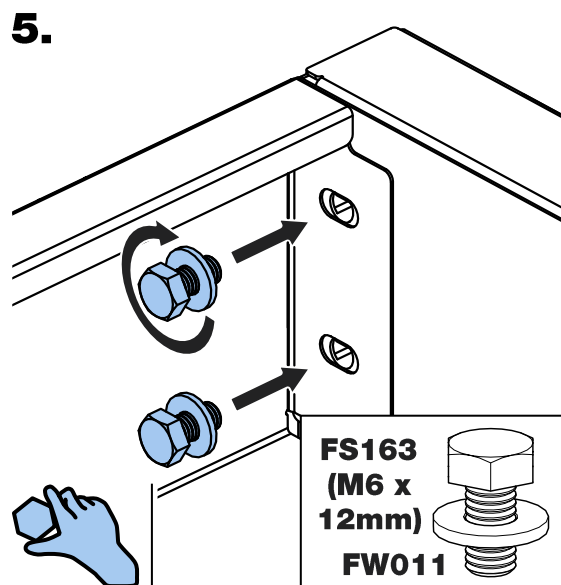
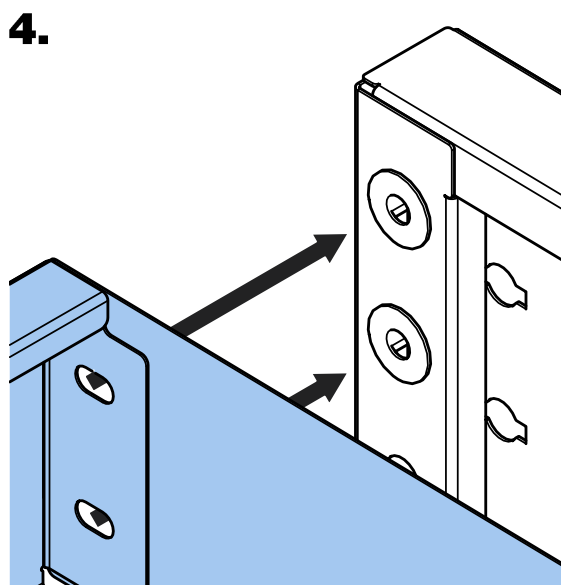
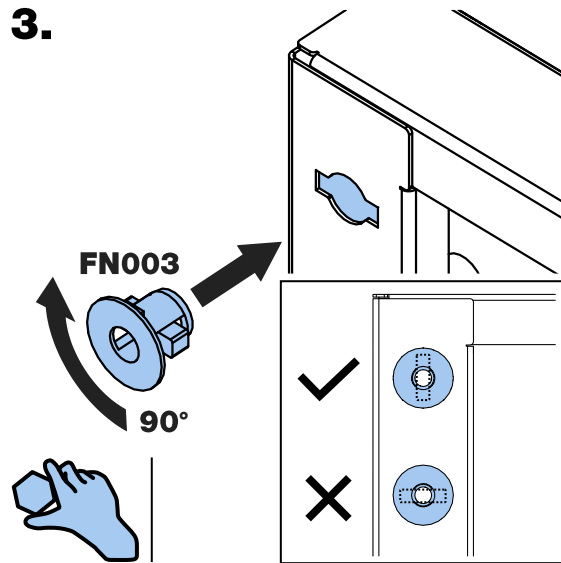
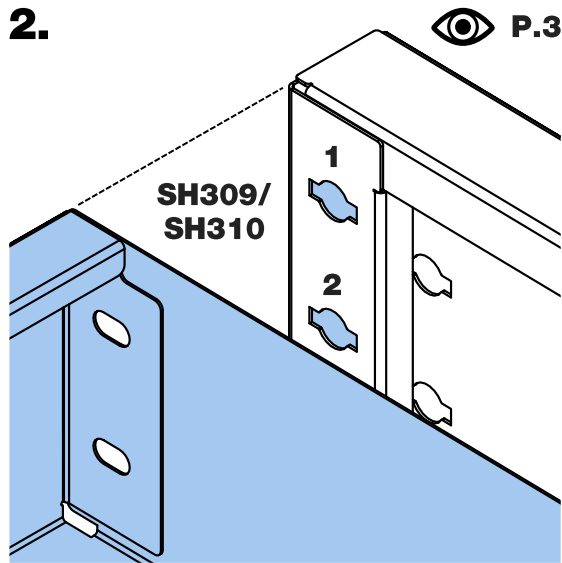


Fitting Kit

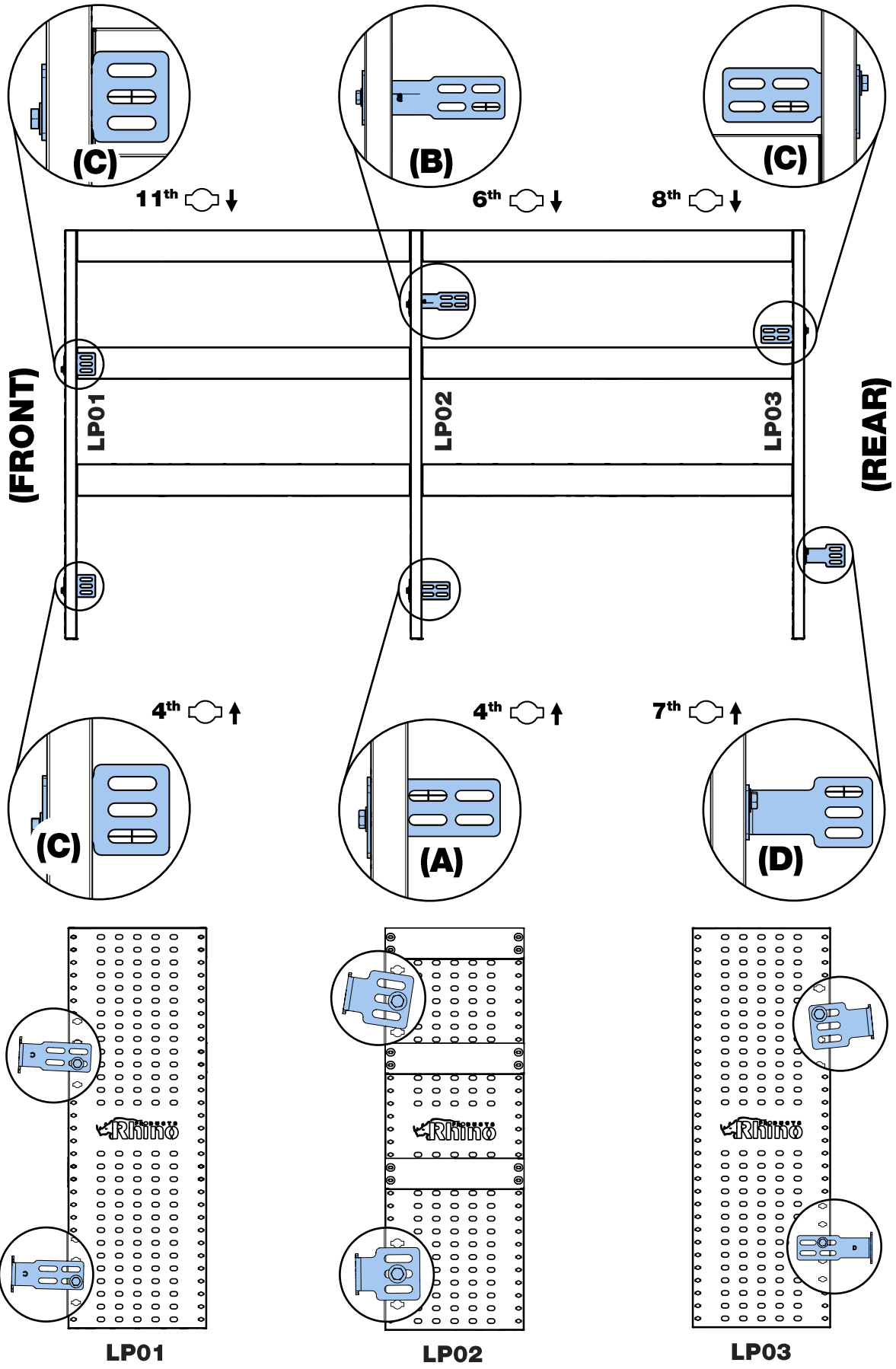


FORD TRANSIT CUSTOM (2013-) L1-H1

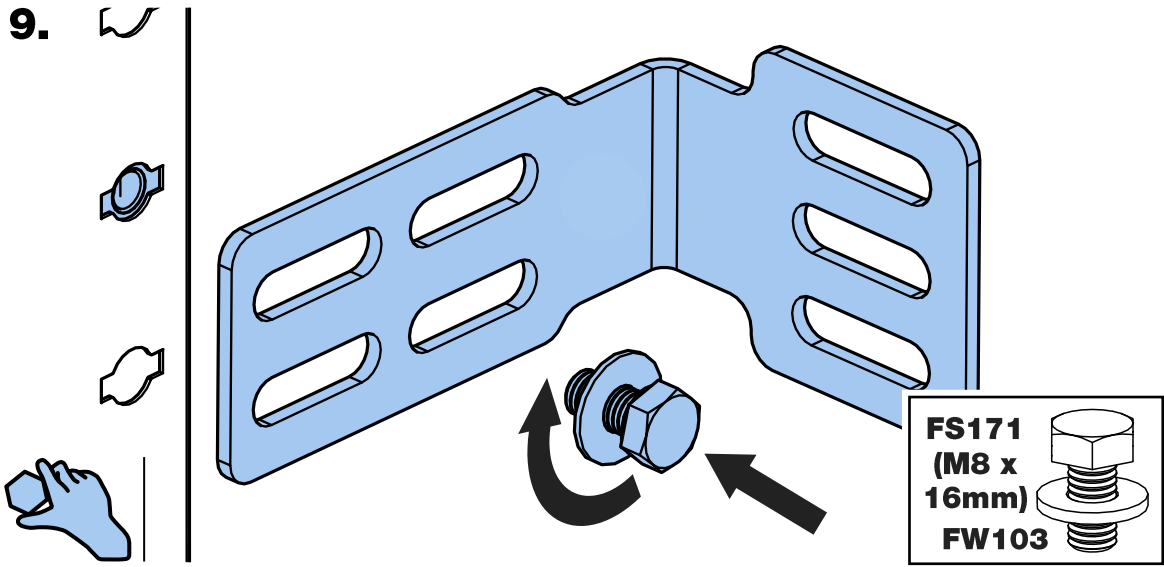




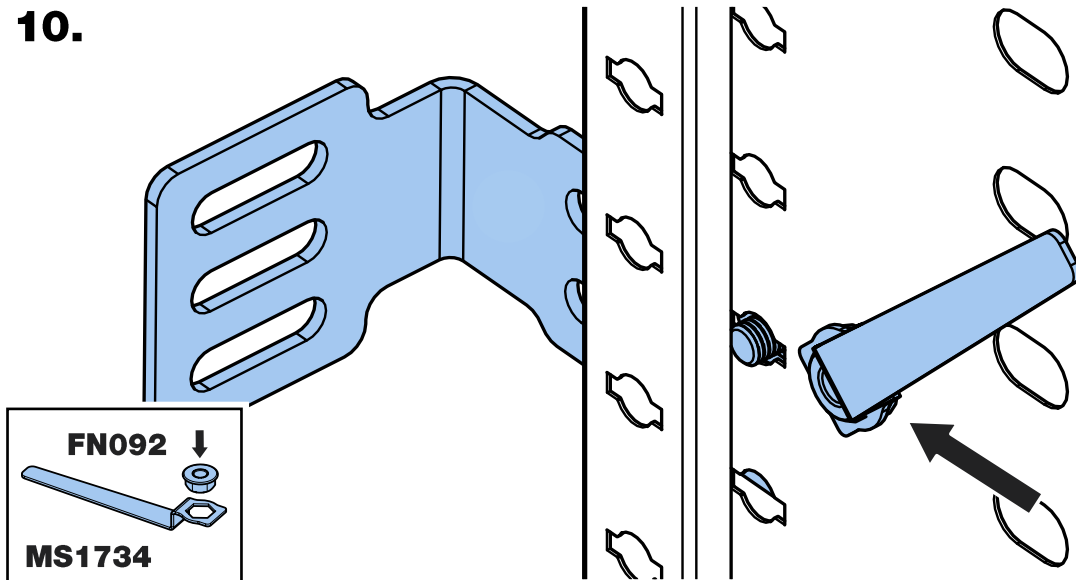
8.



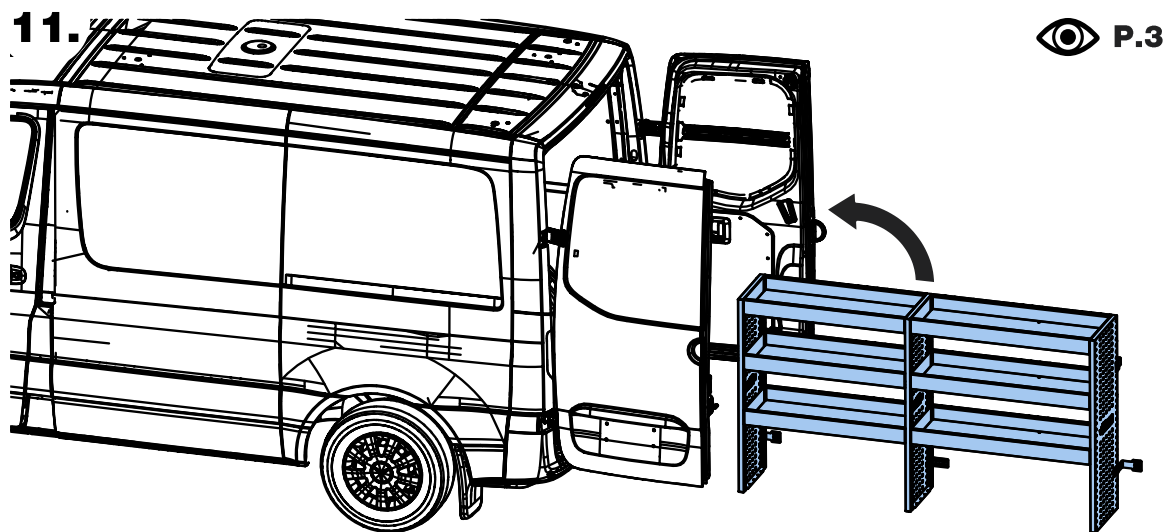
9.



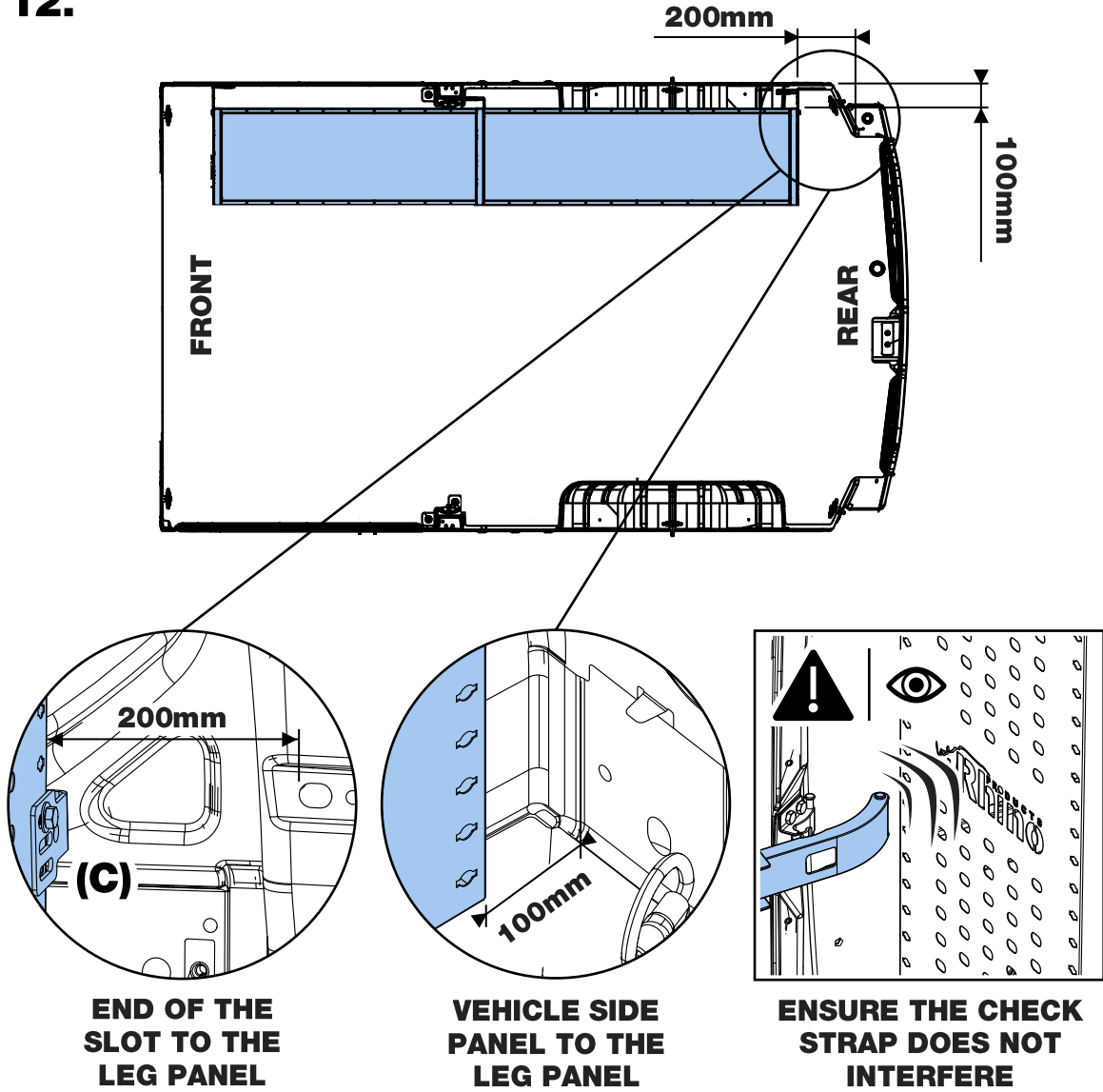
10.



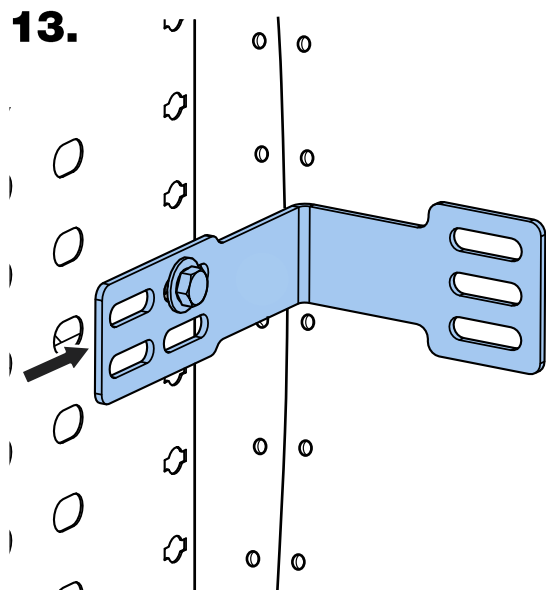
11.



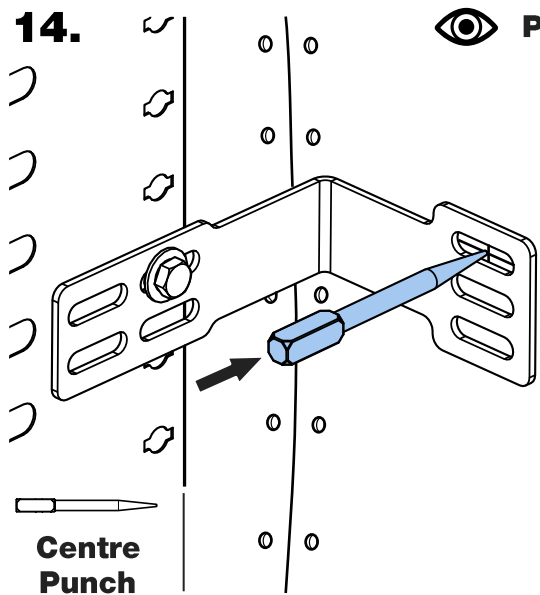
12.

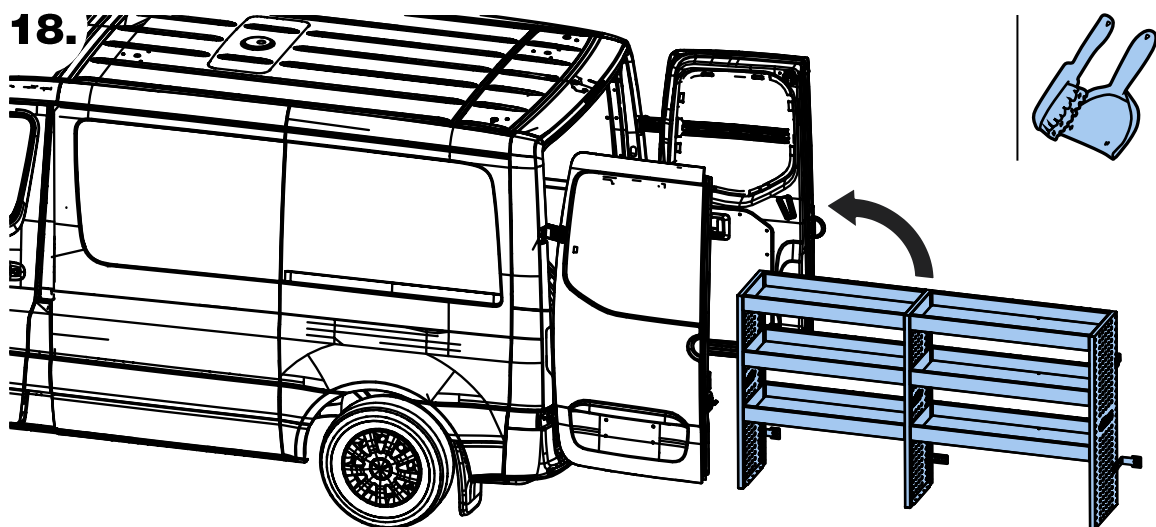
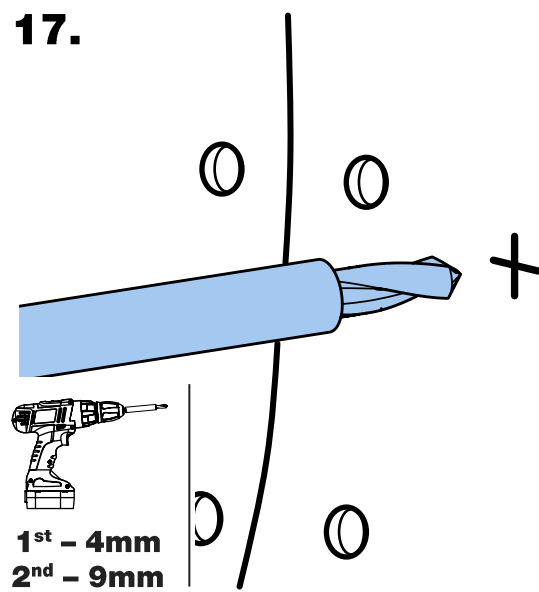
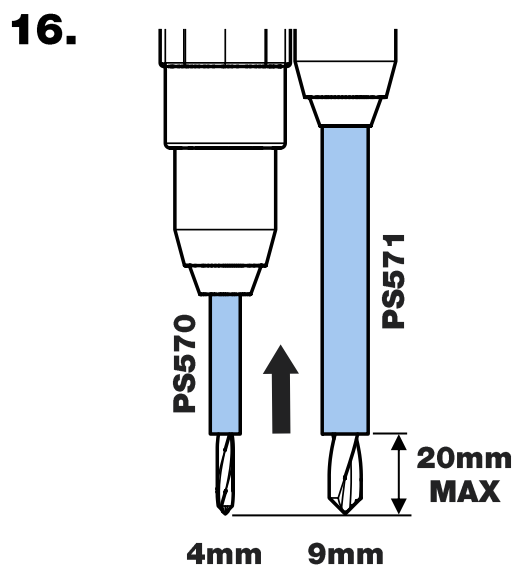
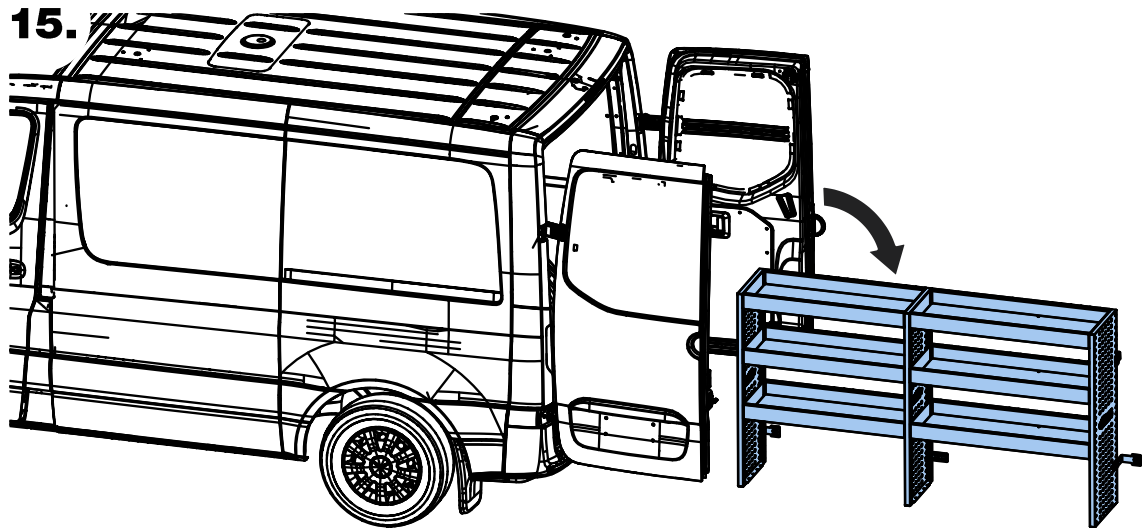


13.

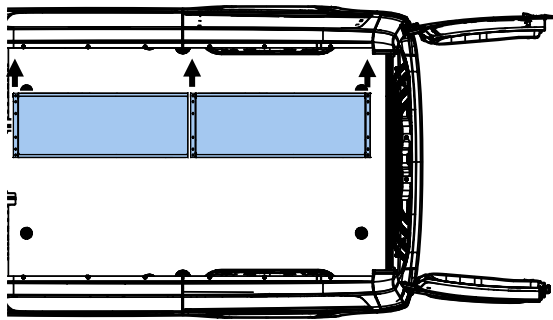


14.

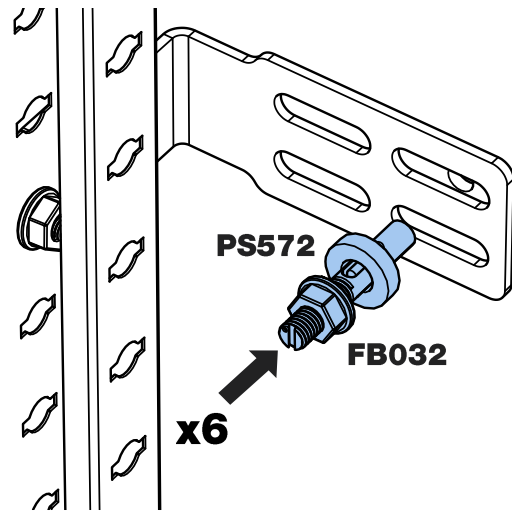




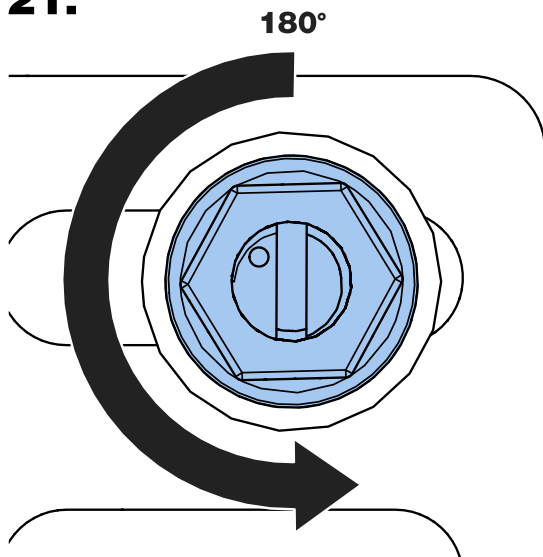
19.



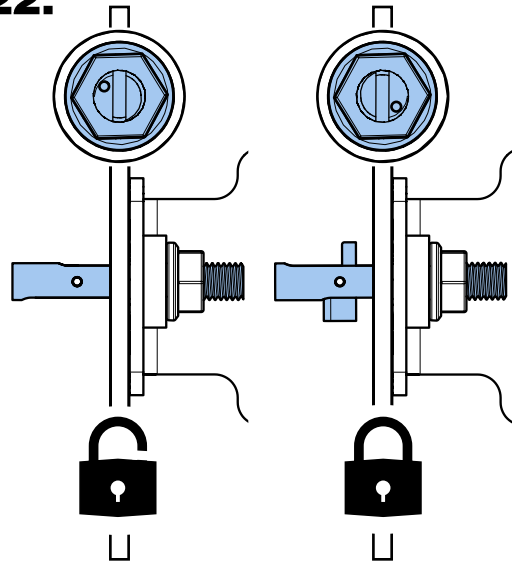
20.



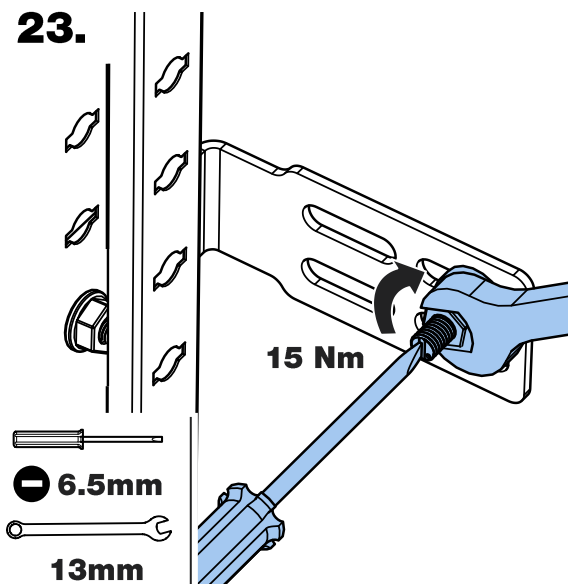
21.



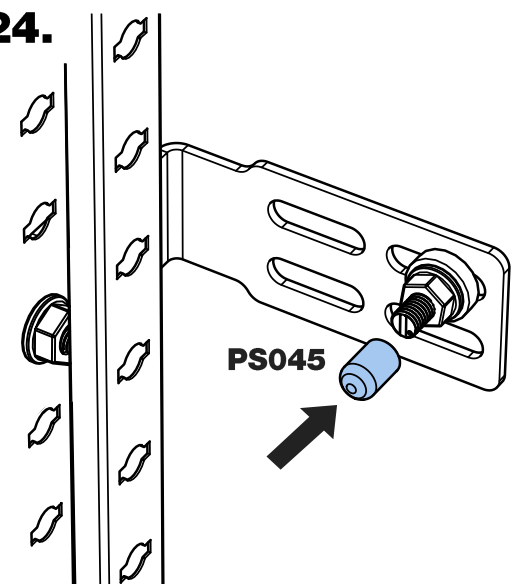
22.



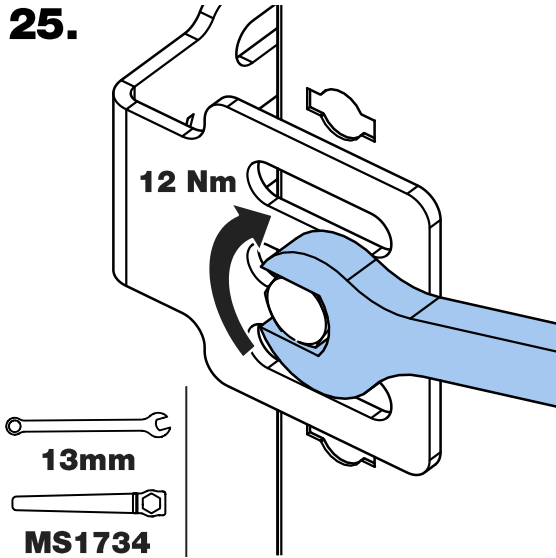
23.



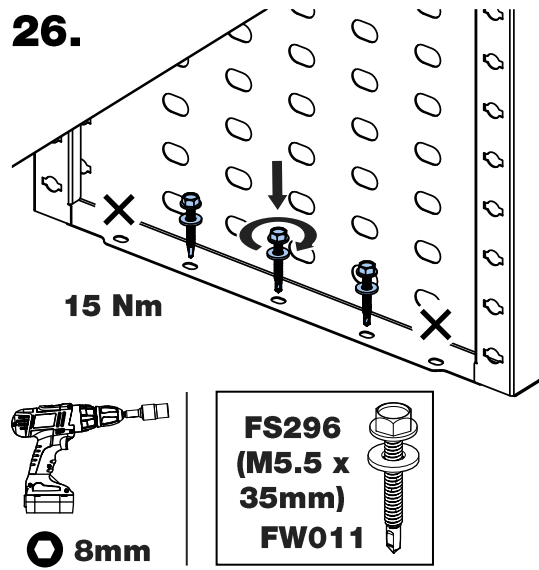
24.



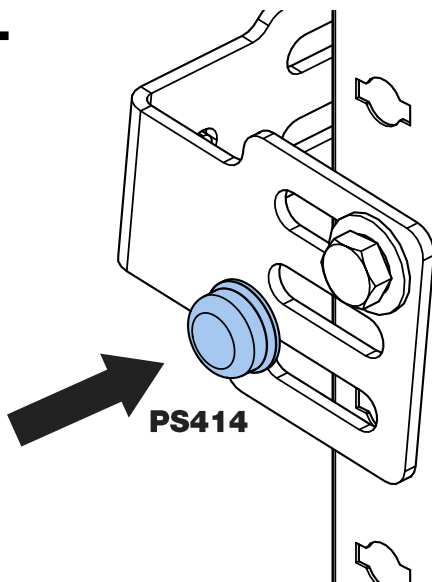
25.



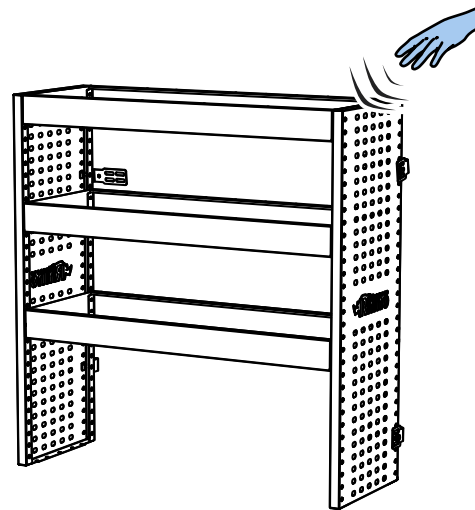
26.



27.



28.



Check every 3 months to ensure the fixings are secure.