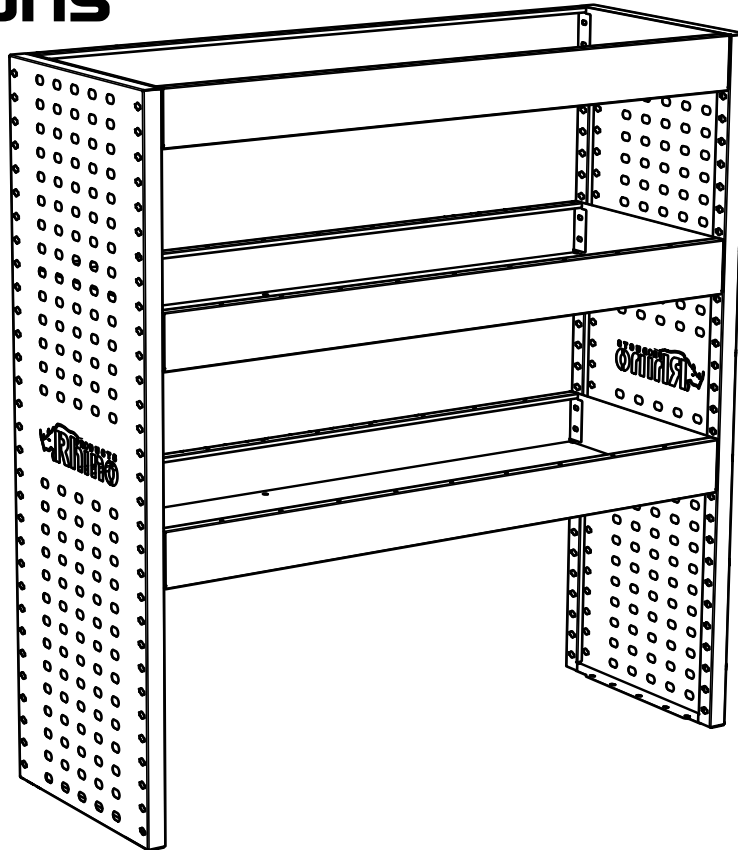


FM001-L1

MR4

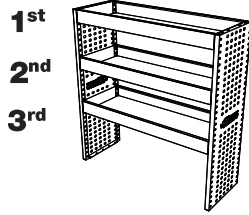
Instructions



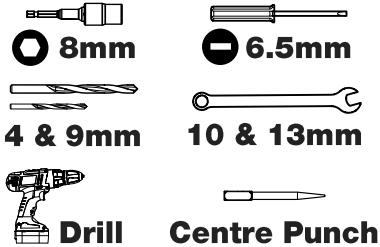
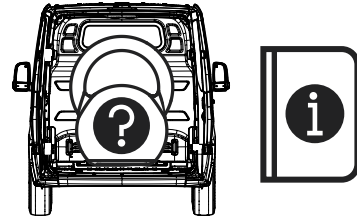
CITY CRASH (✓)

According to ISO/ PAS 11154:2006

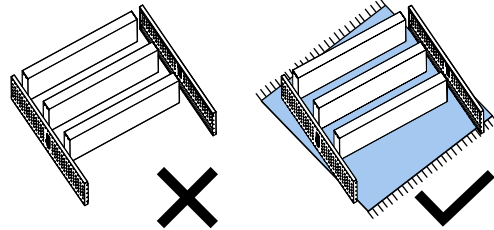
MR4
Weight
 16.9kg
 /37.3lbs
 (Bay 1)



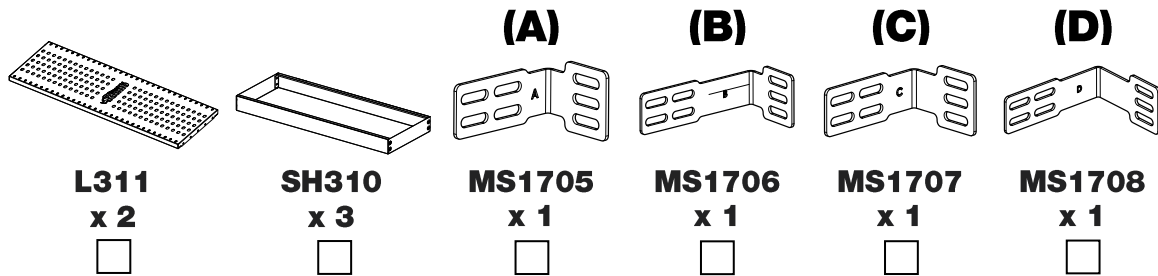
Shelf Max Load
 1st 10.0kg/22.0lbs
 2nd 35.0kg/77.2lbs
 3rd 35.0kg/77.2lbs



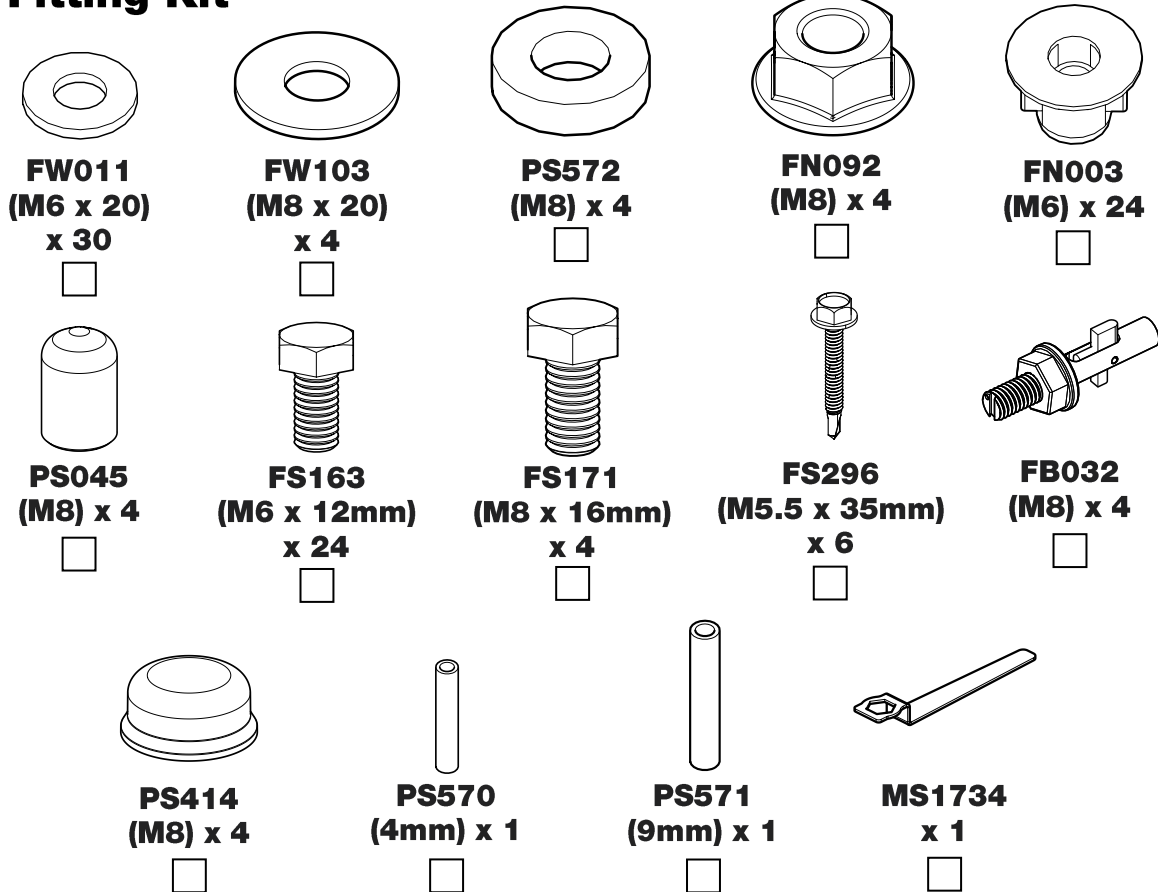
Assembly
 ≈25min
Fitment
 ≈25min



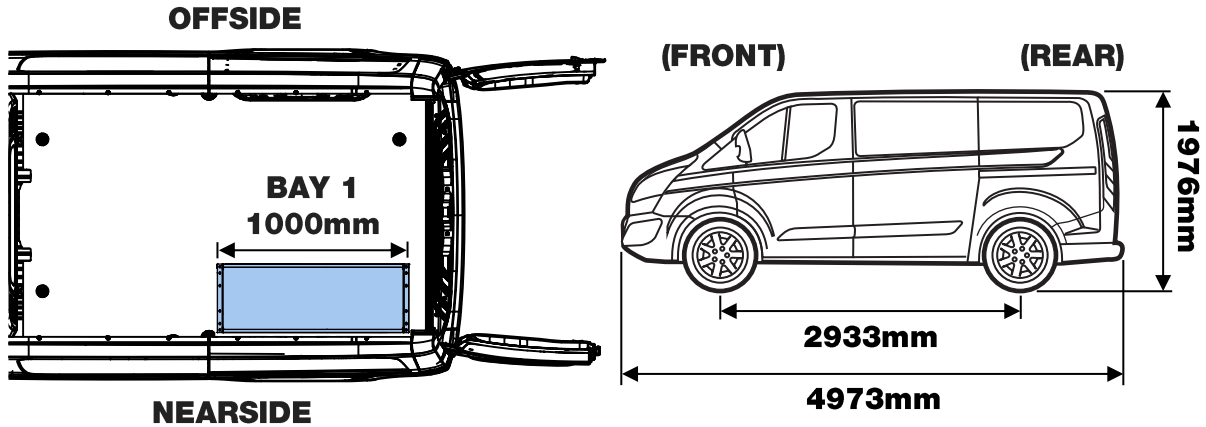
MR4



Fitting Kit

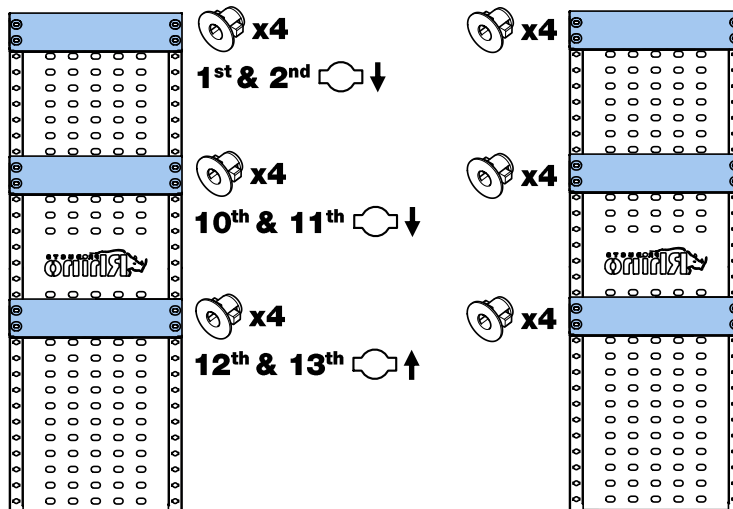
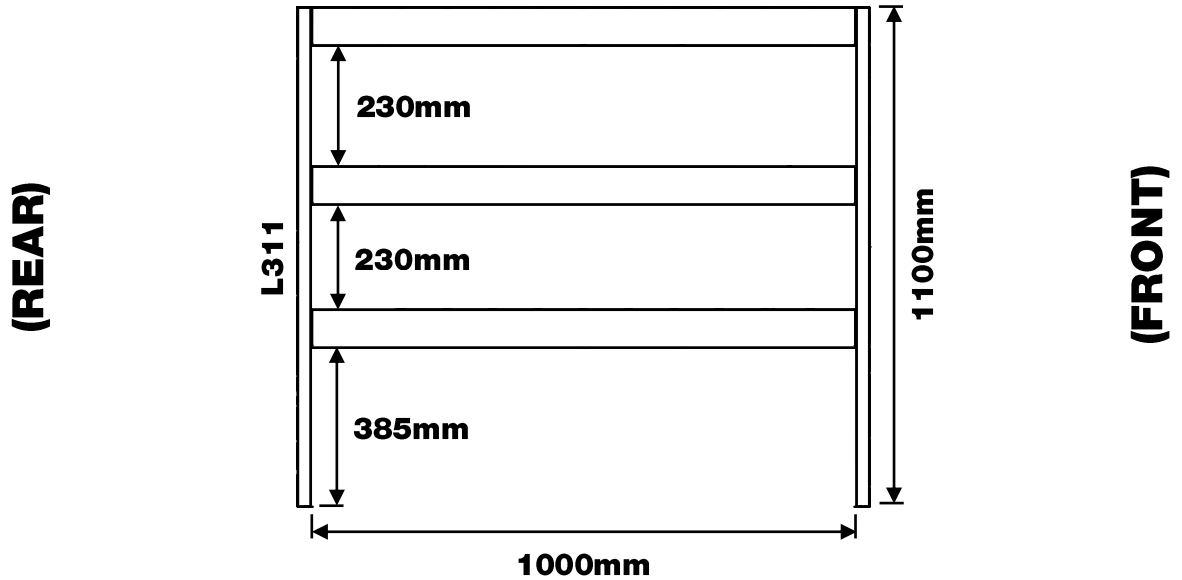


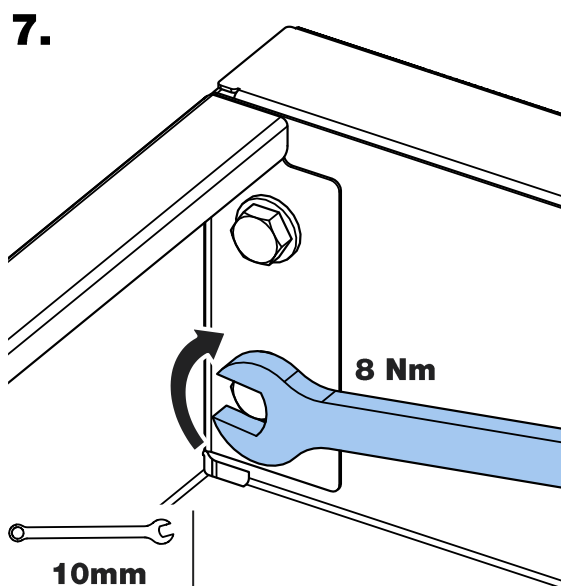
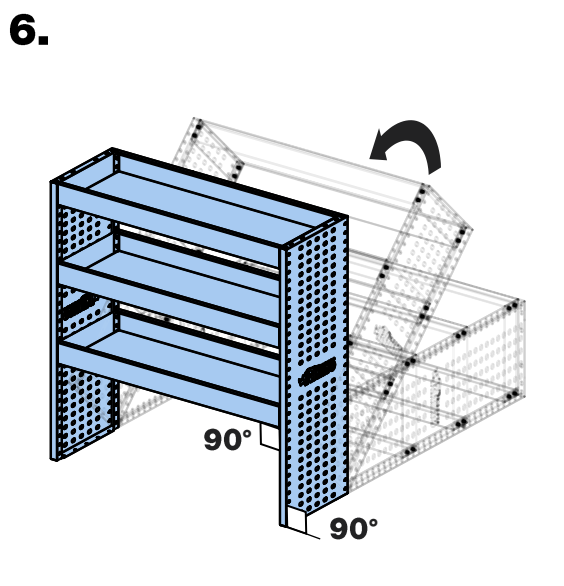
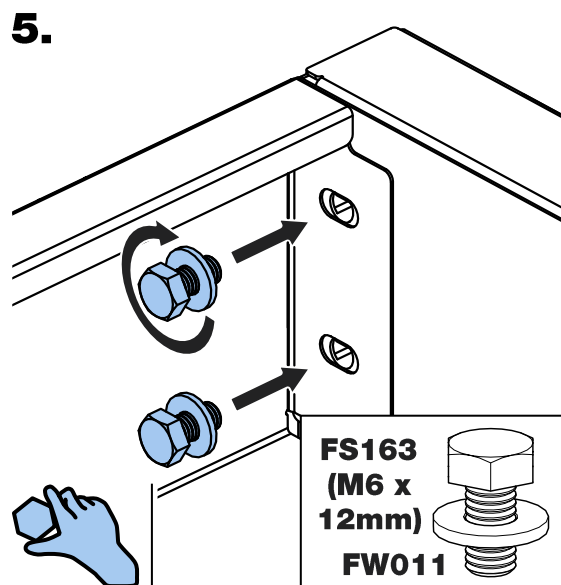
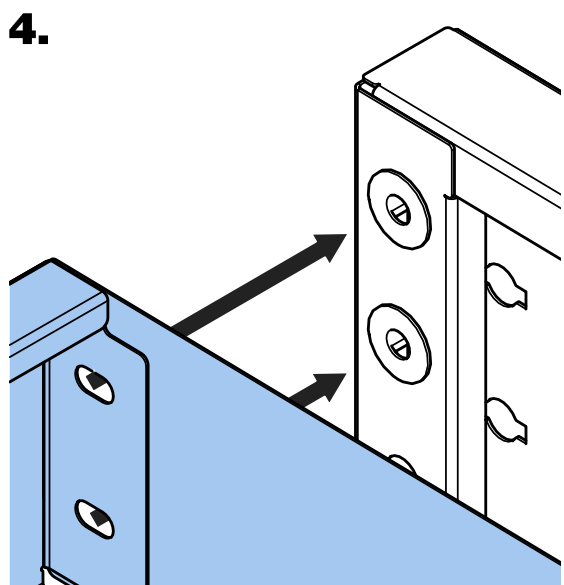
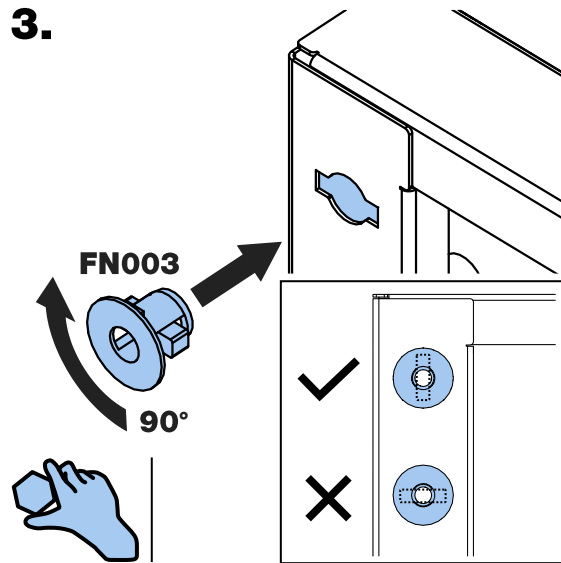
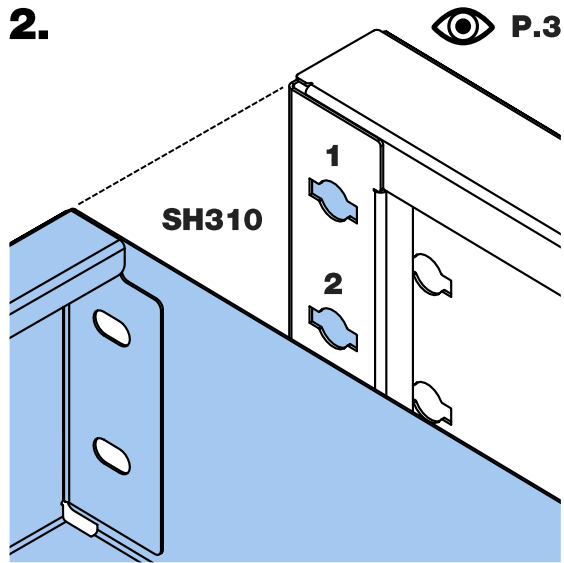
FORD TRANSIT CUSTOM (2013-) L1-H1



1.

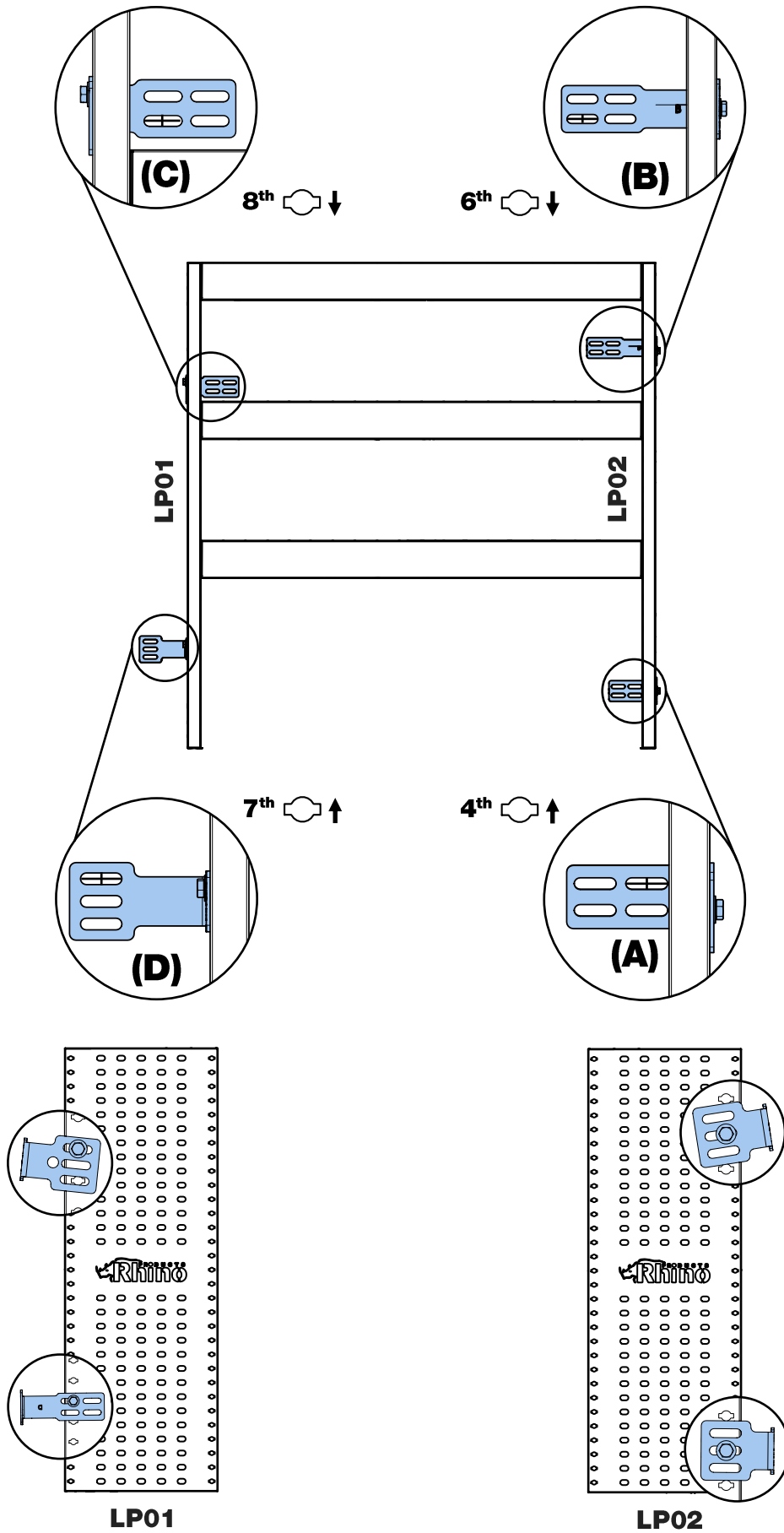
SH310 (BAY 1)





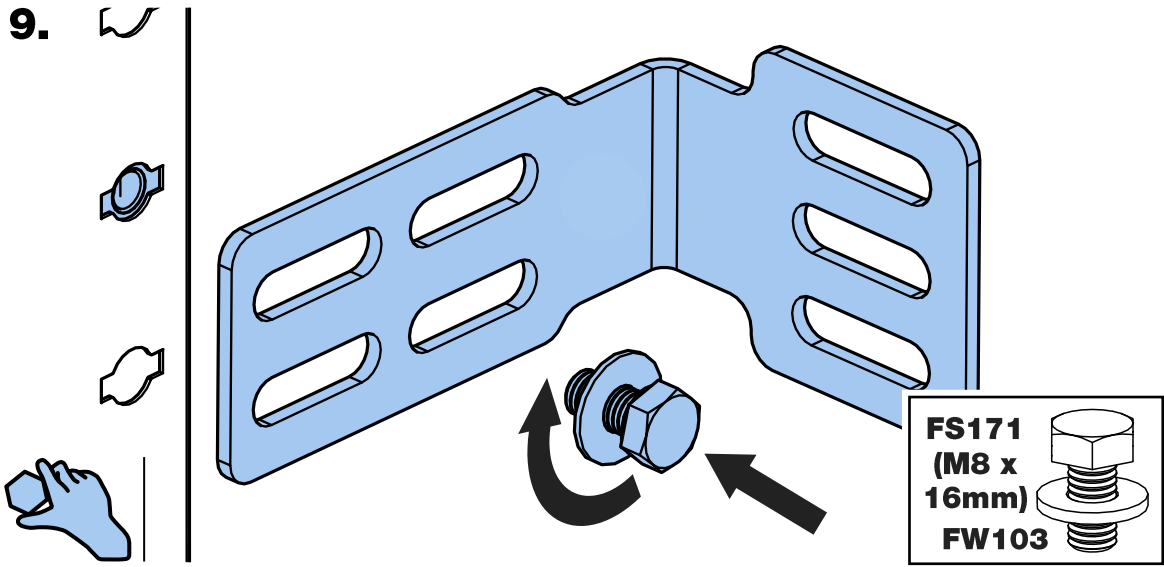
8.

(REAR)

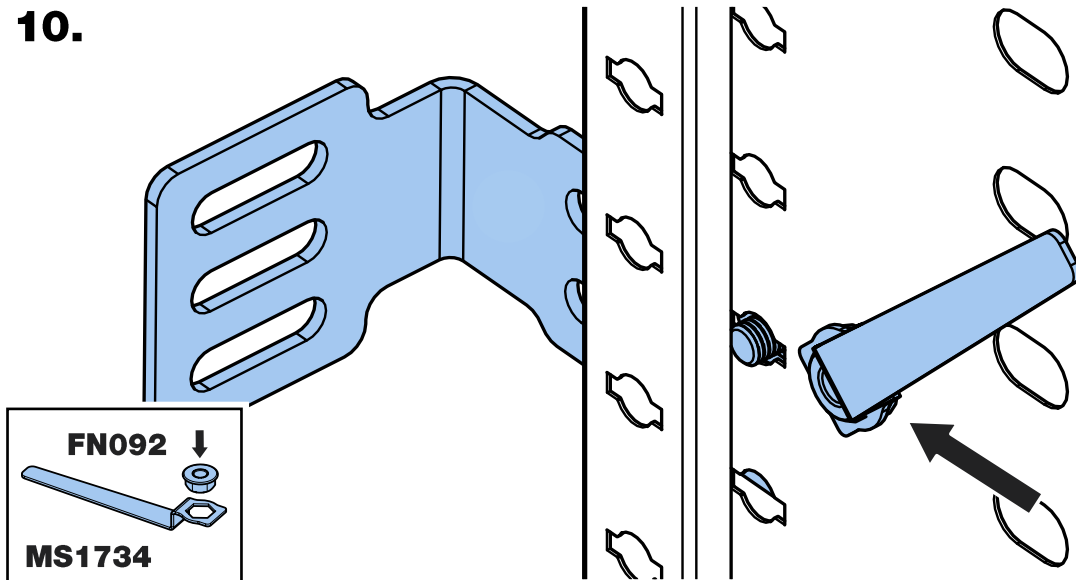


(FRONT)

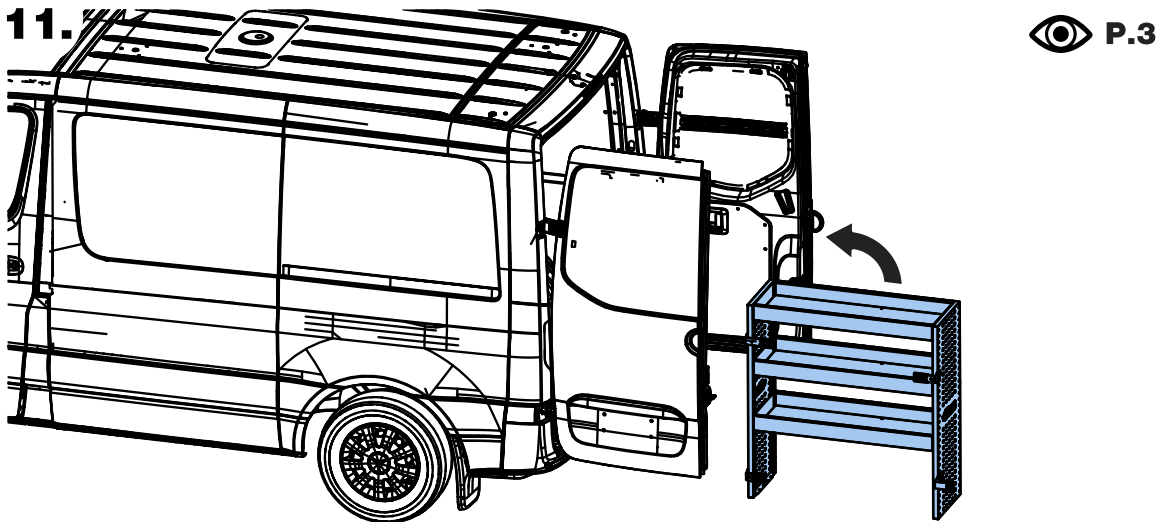
9.



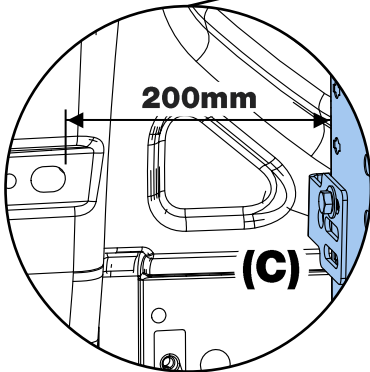
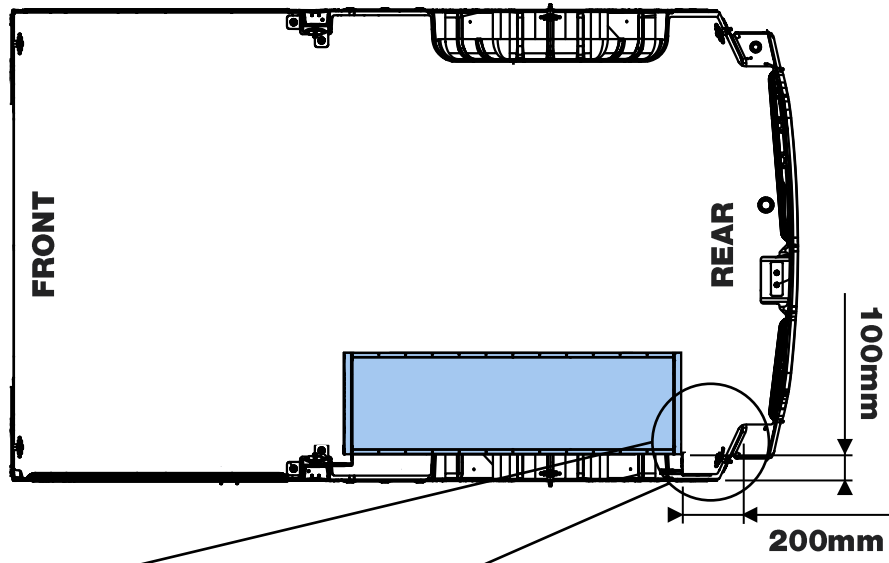
10.



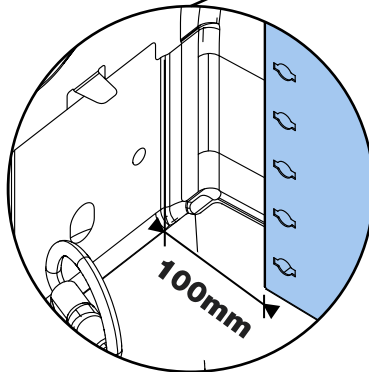
11.



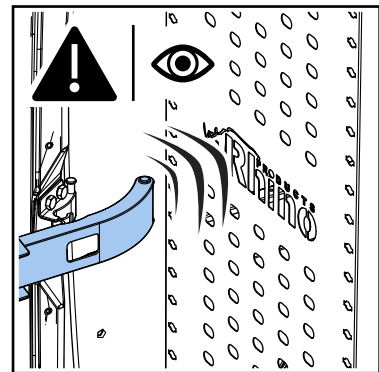
12.



**END OF THE
SLOT TO THE
LEG PANEL**

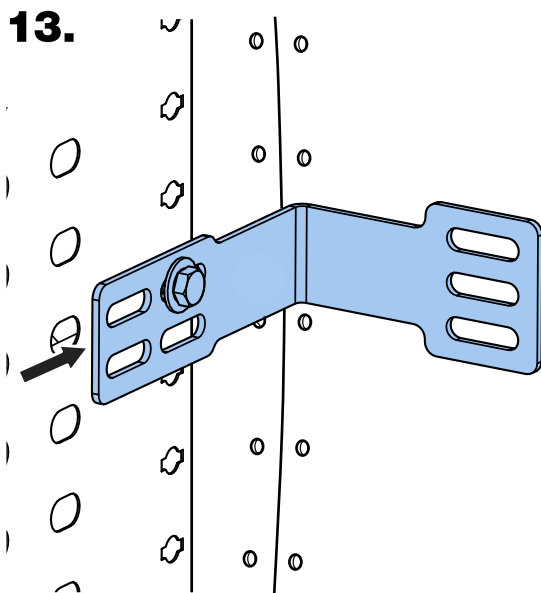


**VEHICLE SIDE
PANEL TO THE
LEG PANEL**

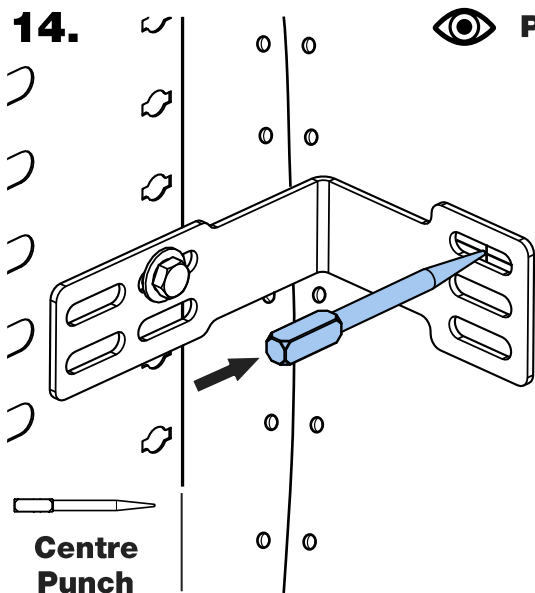


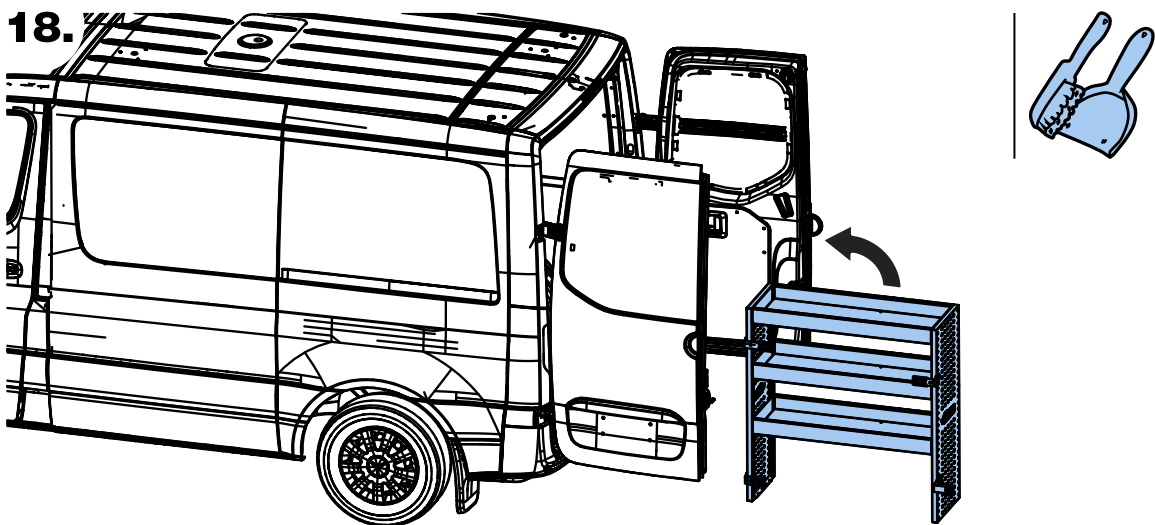
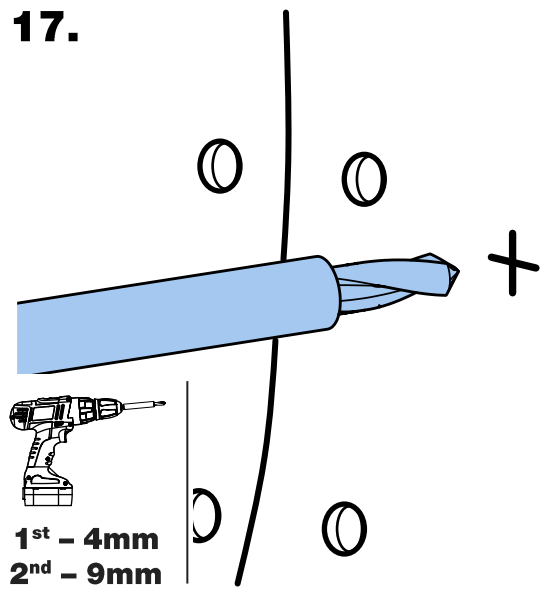
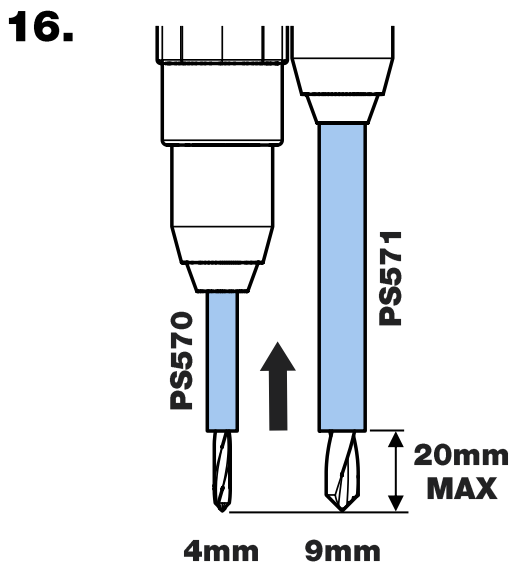
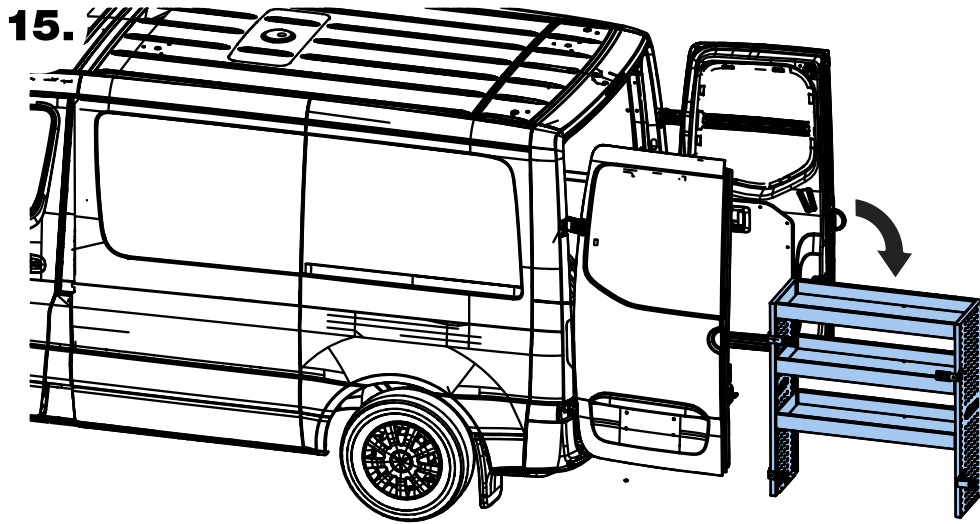
**ENSURE THE CHECK
STRAP DOES NOT
INTERFERE**

13.

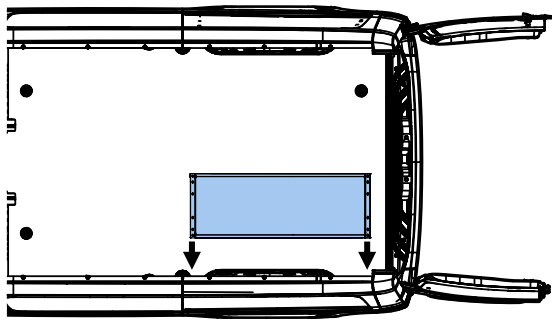


14.

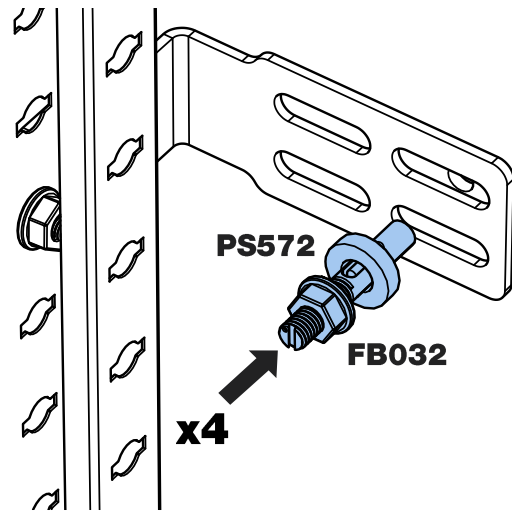




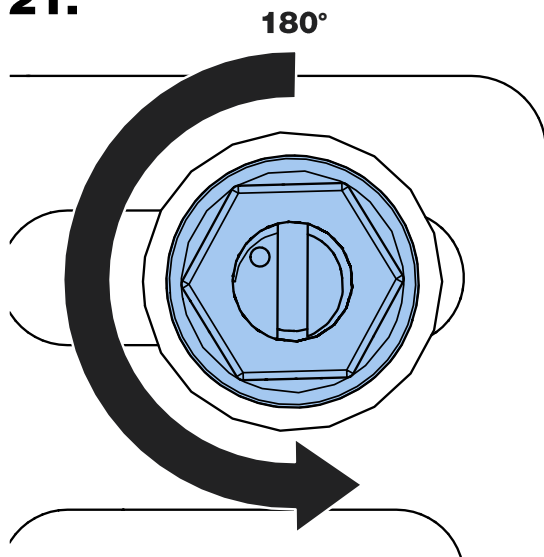
19.



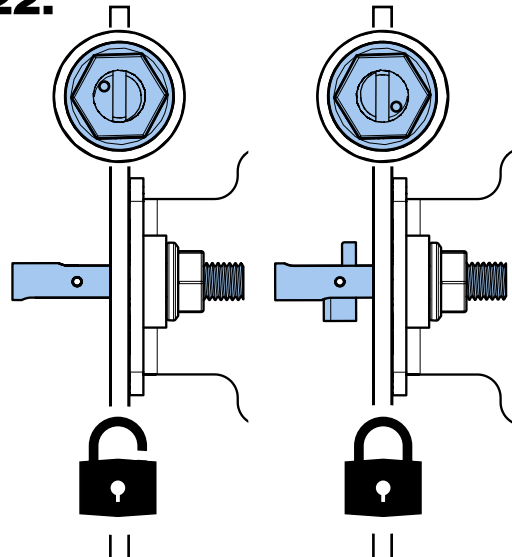
20.



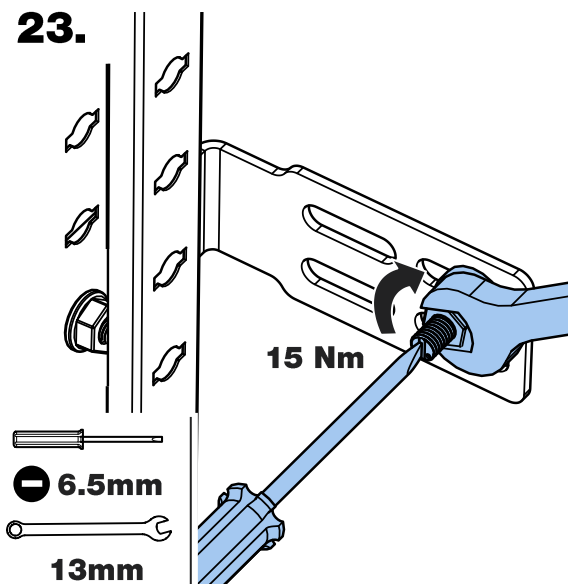
21.



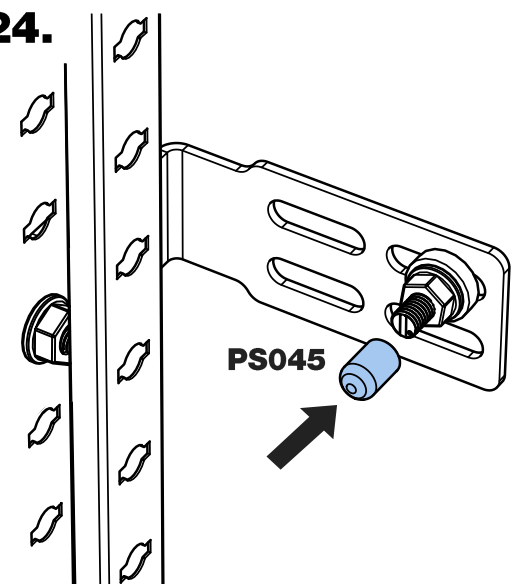
22.



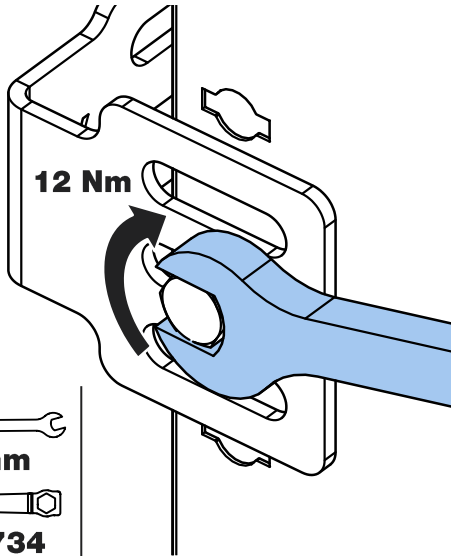
23.



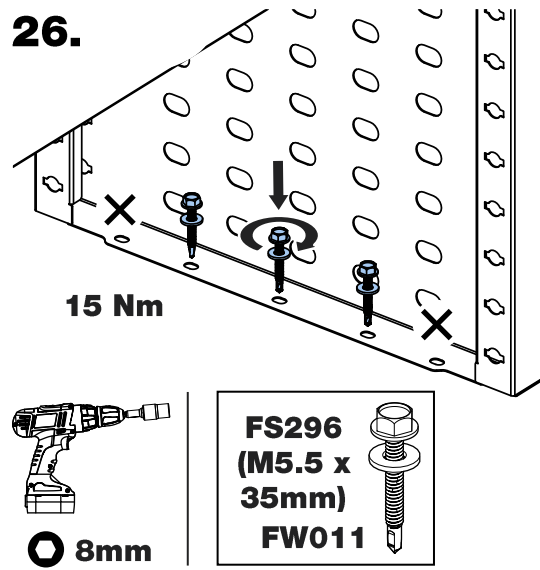
24.



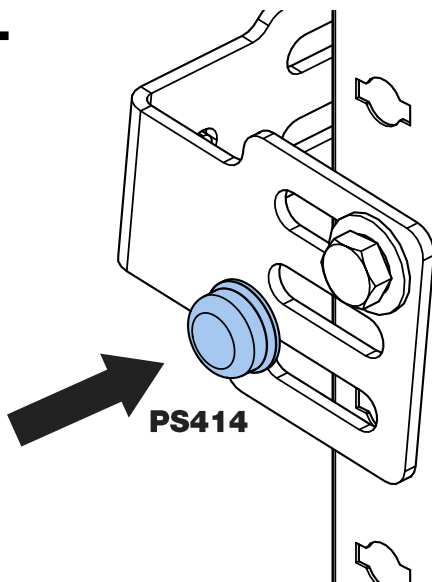
25.



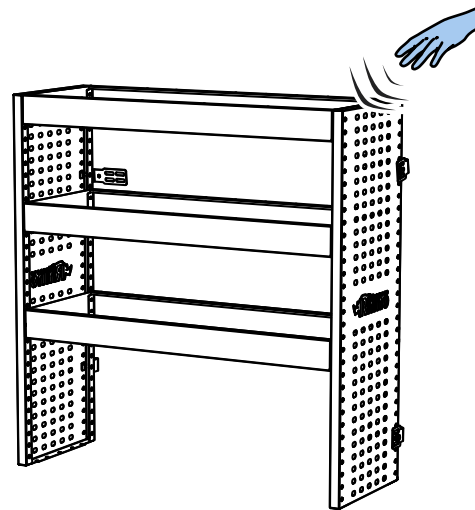
26.



27.



28.



Check every 3 months to ensure the fixings are secure.