

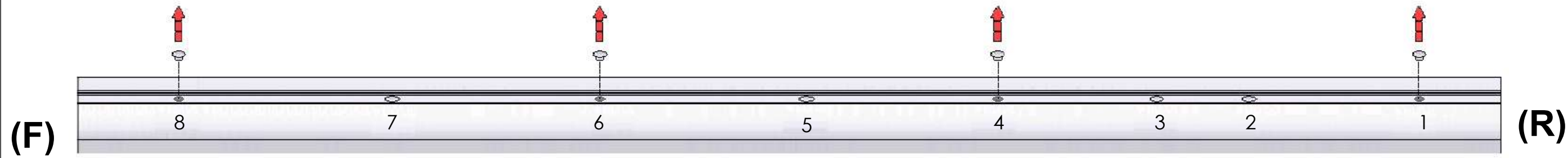
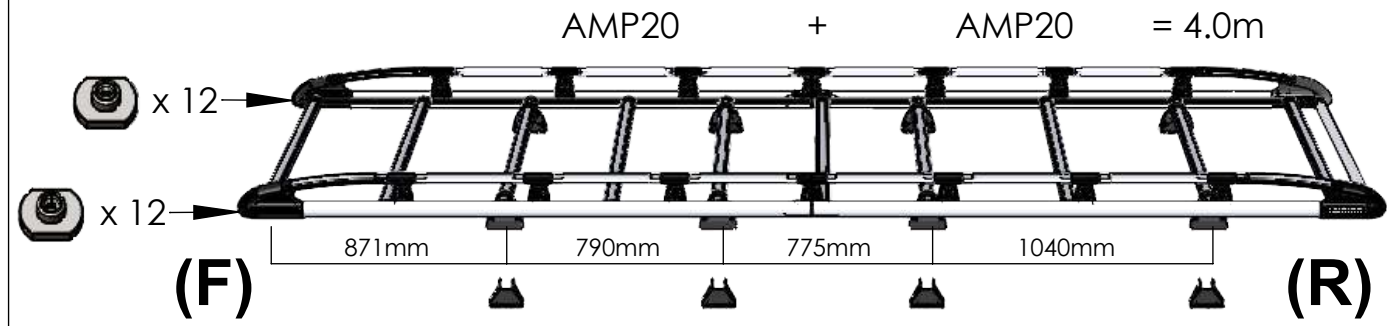
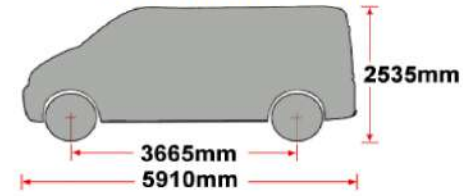
ALUMINIUM RACK - TYPE DESIGNATION FORM I

AH519



SPRINTER/CRAFTER 2006- L2, H1, TWIN DOORS

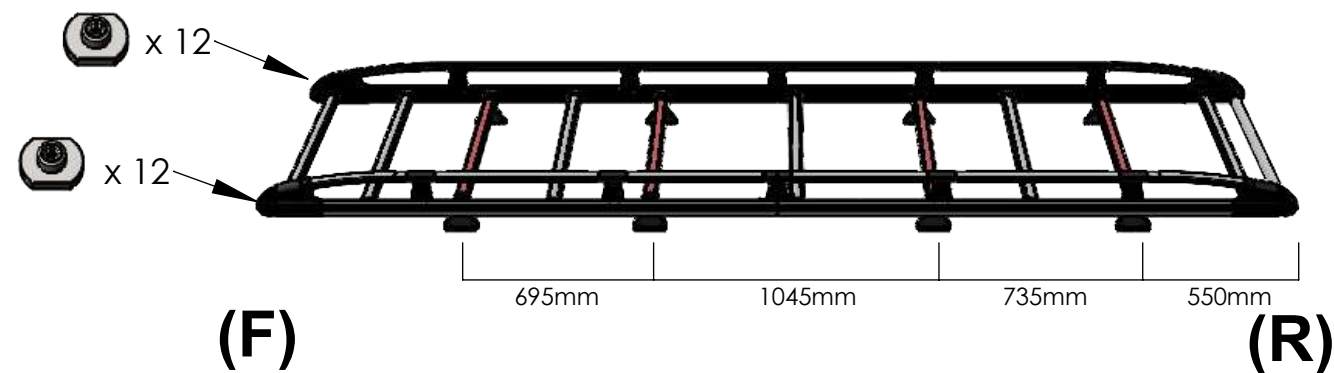
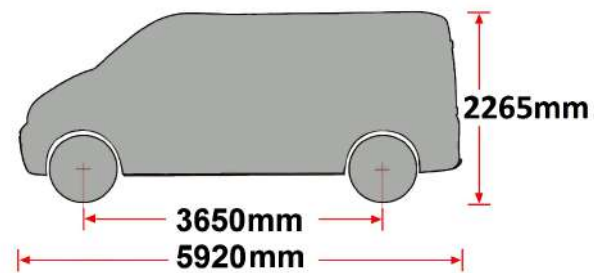
SPRINTER/CRAFTER 2006- L2, H1, TWIN DOORS



AH668



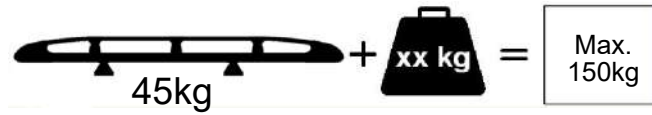
CRAFTER / TGE 2017- L3, H2, TWIN DOORS



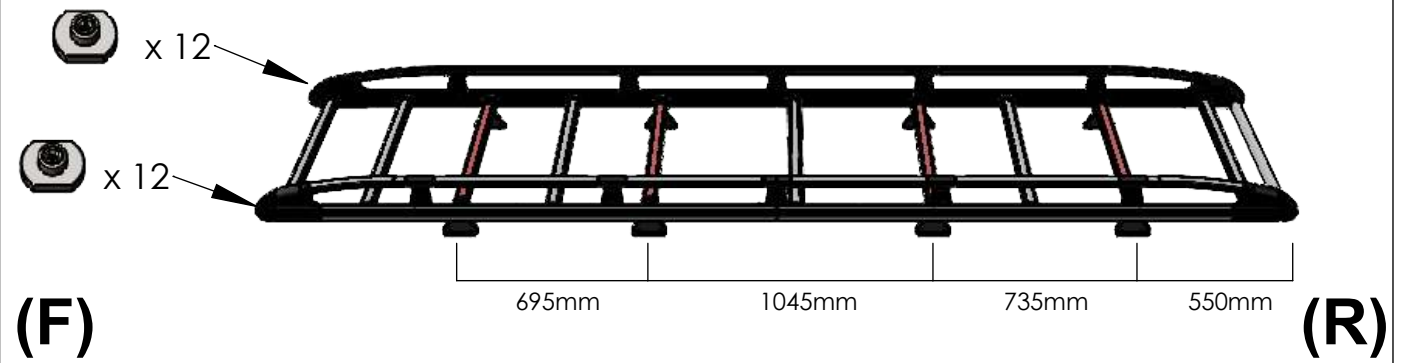
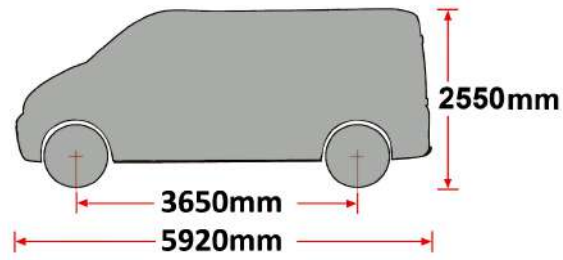
T-TRACK ROOF ONLY!



AH668



CRAFTER / TGE 2017- L3, H3, TWIN DOORS



T-TRACK ROOF ONLY!

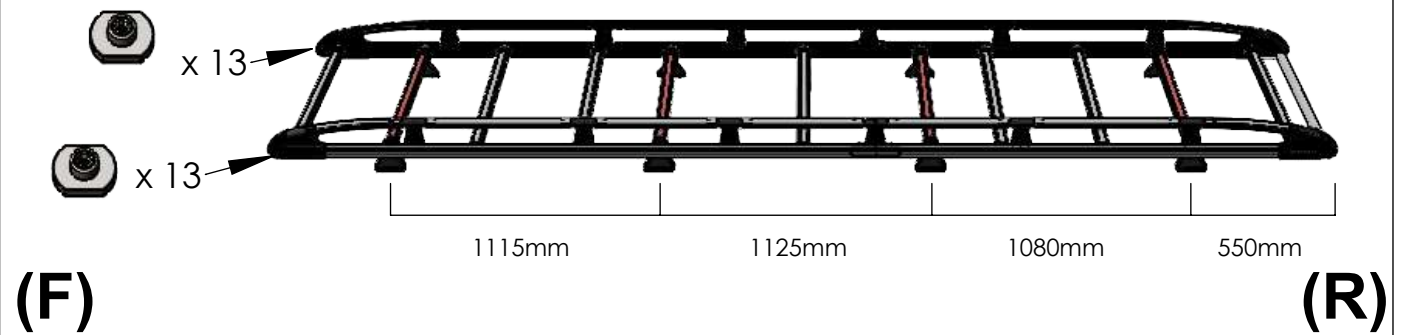
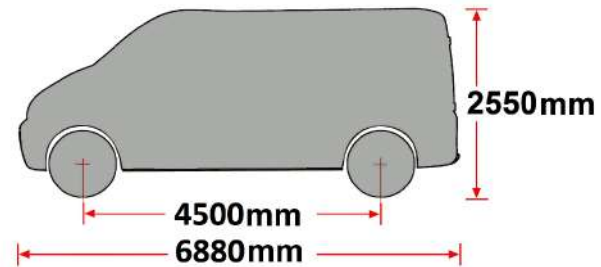
(F)

(R)

AH669



CRAFTER / TGE 2017- L4, H3, TWIN DOORS



T-TRACK ROOF ONLY!

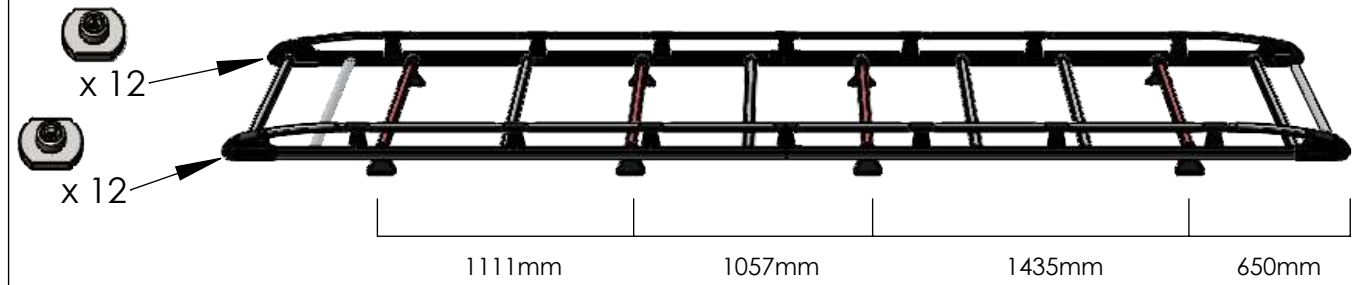
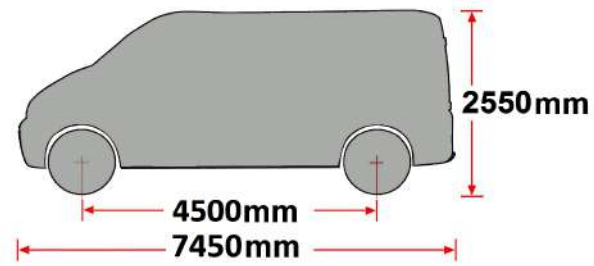
(F)

(R)

AH671



**CRAFTER / TGE 2017-
L5, H3, TWIN DOORS**



(F)

(R)

T-TRACK ROOF ONLY!

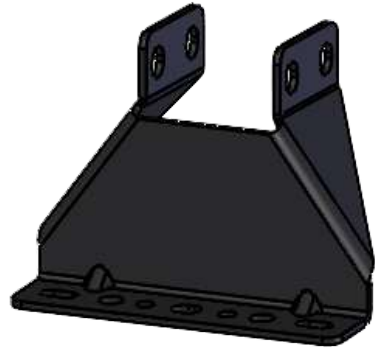


(F)

(R)



EXT09-004 x 8



MS168 x 8



PS095 x 8



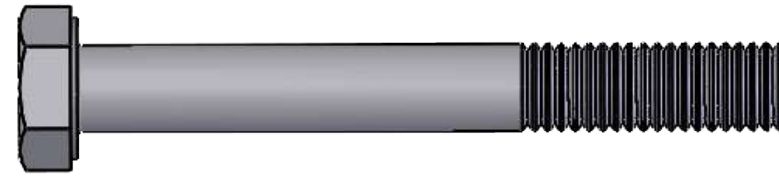
PS089 x 1



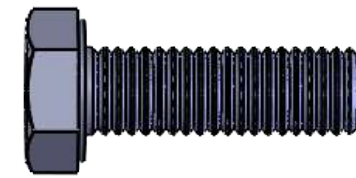
PS090 x 1



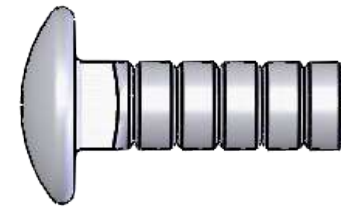
PS023 x 8



FB012 (M8 x 65) x 16



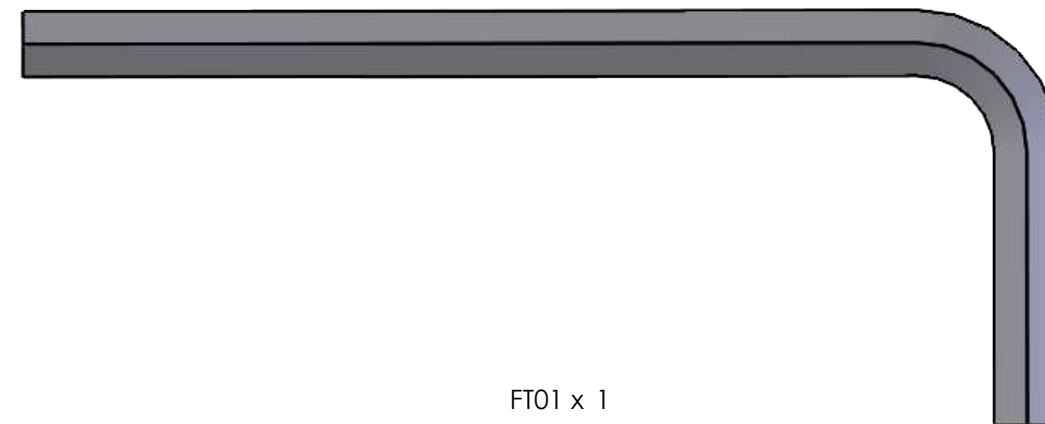
FS062 (M8 x 25) x 8



FS064 (M8 x 25) x 8

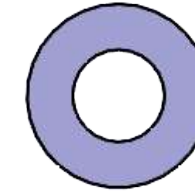


FS059 (M8 x 25) x 32



FT01 x 1

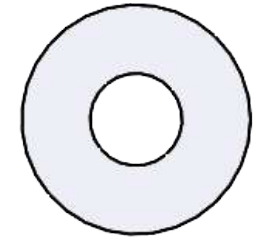
(1:1)



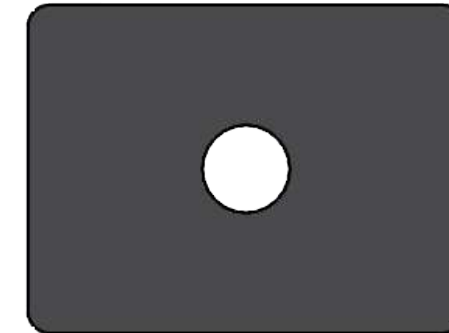
FW037 (M8) x 32



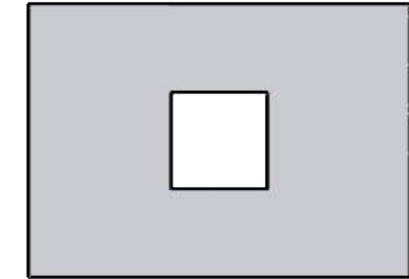
FN006 (M8) x 26



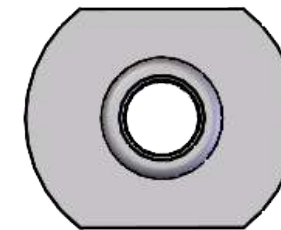
FW002 (M8) x 8



PS020 x 8



MS209 x 8



FN023 (M8) x 26



13mm x 2

